

# Mono Contact Bimetallic Thermostat – TM6 SERIES

## 200 BAR Rated

TM6 temperature switches permit opening or closing of an electric circuit in order to reach a fixed temperature value.

Article no.	Fix Set Switching °C	Max Pressure BAR	Price £	Price €
<b>TM64</b>	40	200	<b>£33.50</b>	<b>€34.50</b>
<b>TM65</b>	50	200	<b>£33.50</b>	<b>€34.50</b>
<b>TM66</b>	60	200	<b>£33.50</b>	<b>€34.50</b>
<b>TM67</b>	70	200	<b>£33.50</b>	<b>€34.50</b>
<b>TM68</b>	80	200	<b>£33.50</b>	<b>€34.50</b>
<b>TM69</b>	90	200	<b>£33.50</b>	<b>€34.50</b>
<b>TM69.0</b>	100	200	<b>£39.40</b>	<b>€40.60</b>
<b>TM69.1</b>	110	200	<b>£39.40</b>	<b>€40.60</b>

## Ordering Code

<b>TM6</b>	<b>5</b>	<b>A</b>	<b>1</b>
<b>IDENT</b>	<b>PRESET VALUE</b>	<b>PRESET</b>	<b>CONNECTION</b>
	4 = 40°C	A = NORMALLY OPEN	1 = 1/2" BSP
	5 = 50°C	C = NORMALLY CLOSED	2 = 3/8" BSP
	ETC		

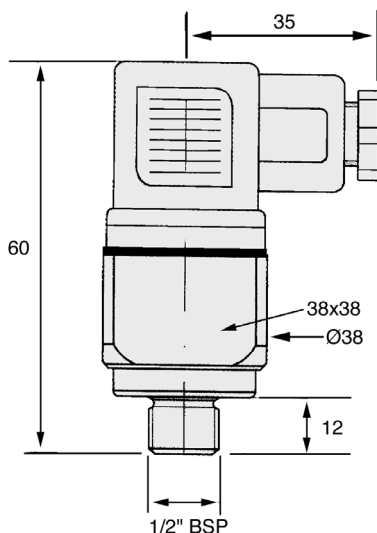
## Technical Features

Body	Brass
Connection	1/2" BSP Male (3/8" BSP on Request)
Mounting	Any orientation
Temp. Range	-20 TO +120°C
Frequency	20 Cycles/min
Accuracy	±3.5°C
Fixed Hysteresis	12°C
Weight	0.17kg

## Electrical Features **M2 (DIN PLUG)**

Electrical Connection	DIN 43650
Weatherproof Rating	IP65
Max. Contact Load	220v (10A) 120v (15A)

## Dimensions



**TM4**  
90° Swinging connector and incorporated seal fluid side