

# F4 Series - Double Contact Adjustable Pressure Switch

## 25 - 400 BAR Rated

F4 adjustable pressure switches provide an electrical signal once a set pressure value is reached. Preset pressure is adjusted by rotating a screw, located in the centre of the switch, clockwise to increase pressure & anti-clockwise to decrease pressure.

Note: for the switch with the DIN connector the screw is recessed, - a 2mm allen key is required. Mechanical stops protect the spring & micro-switch from over pressurisation.



Execution with electric connection M2

| Article no. | Adjustable Pressure Range BAR | Max Pressure BAR | Fixed Hysteresis Value | Price £       | Price €       |
|-------------|-------------------------------|------------------|------------------------|---------------|---------------|
| <b>F4R</b>  | 0.2-2.5                       | 25               | 10%                    | <b>£37.00</b> | <b>€38.20</b> |
| <b>F4S</b>  | 1-12                          | 25               | 10%                    | <b>£37.00</b> | <b>€38.20</b> |
| <b>F4T</b>  | 5-50                          | 300              | 15%                    | <b>£37.60</b> | <b>€38.80</b> |
| <b>F4V</b>  | 10-100                        | 300              | 15%                    | <b>£37.60</b> | <b>€38.80</b> |
| <b>F4Z</b>  | 20-300                        | 400              | 15%                    | <b>£37.60</b> | <b>€38.80</b> |
| <b>F4Y</b>  | 50-400                        | 600              | 25%                    | <b>£52.20</b> | <b>€53.80</b> |

Includes M2 Connection Plug

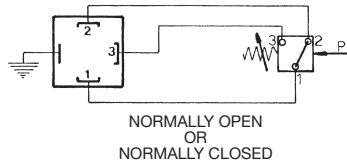
### Technical Features

|                         |  |
|-------------------------|--|
| Body                    | STEEL  |
| Connection              | 1/4" BSP Male  |
| Mounting                | Any Orientation  |
| Temp. Range             | -25 to +85°C   |
| Frequency               | 90 cycles/min  |
| Accuracy                | ±4% of Set Pressure at 20°C  |
| Fixed hysteresis value: | membrane execution ~ 10% of end of scale at 20°C<br>piston execution ~ 15% of end of scale at 20°C<br>Y piston execution ~ 25% of end of scale at 20°C |
| Weight                  | 50gm   |
| Mechanical life:        | 10 <sup>6</sup> cycles at 70 bar (1000 psi) at 20°C  |

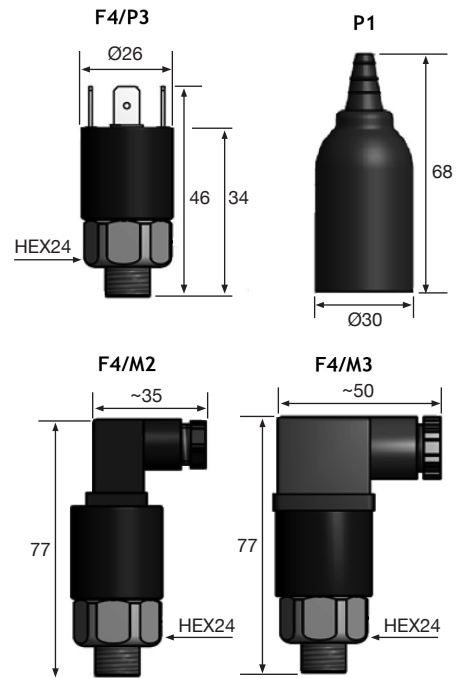
### Electrical Features M2 (DIN PLUG)

|                       |   |
|-----------------------|---|
| Maximum load:         | 0.5 A at 250 Volt AC<br>0.15 A at 110 Volt DC |
| Electrical Connection | DIN 43650                                     |
| Weatherproof          | IP65  |
| Max. Contact Load     | 0.5 ampere at 250v AC                         |

### Electrical connection



### Dimensions



| HOW TO ORDER                    |            |          |               |                                 |                      |   |  |  |                                |  |  |  |  |
|---------------------------------|------------|----------|---------------|---------------------------------|----------------------|---|--|--|--------------------------------|--|--|--|--|
| F4                              |            |          |               |                                 |                      |   |  |  |                                | P1   |  |  |  |
| Switching pressure range        | Execution  | P Max    | Body Material | Hydraulic Connection            | Seal Type            | Type of Electric Contact                | Preset value   | Condition                                  | Type of Electric Connection    | Protection Cap   |  |  |  |
| Bar                             |            | Bar      |               |                                 |                      |   | Bar  |  |                                |  |  |  |  |
| <b>R</b>                        | 0.2>2.5    | Membrane | 25            | <b>0</b><br>1/8" BSP            | <b>V</b><br>VITON    | <b>G</b><br>Gold plated contacts        | Indicate the value if you want the pressure switch already preset in factory | <b>D</b><br>means falling pressure setting | <b>P3</b><br>2.3 x 0.8 Fast-on | Accessory on request essential to protect the instrument from dirt, moisture and for to have the IP54 protection |  |  |  |
| <b>S</b>                        | 1>12       | Membrane | 25            |                                 |                      |   |  |  |                                |  |  |  |  |
| <b>SM</b>                       | 1>12       | Membrane | 150           | <b>X</b><br>AISI316L            | <b>1</b><br>1/4" BSP | <b>T</b><br>PTFE                        |  |  | <b>M2</b><br>Connector 16 x 16 |  |  |  |  |
| <b>SP</b>                       | 1>12       | Piston   | 300           | <b>L</b><br>BRASS               | <b>2</b><br>1/8"BSPT |   |  |  |                                |  |  |  |  |
| <b>T</b>                        | 5>50       | Piston   | 300           | <b>B</b><br>NICKEL PLATED BRASS | <b>3</b><br>M10x1    | If omitted means Silver plated contacts |  |  | <b>M3</b><br>Connector 30 x 30 |  |  |  |  |
| <b>TM</b>                       | 5>50       | Membrane | 150           |                                 | <b>4</b><br>1/8"NPT  |   |  |  |                                |  |  |  |  |
| <b>V</b>                        | 10>100     | Piston   | 300           | If omitted means zinc plated    | <b>5</b><br>1/4"NPT  | If omitted means NBR                    |  |  |                                |  |  |  |  |
| <b>VM</b>                       | 10>100     | Membrane | 150           |                                 | <b>6</b><br>1/4"BSPT |   |  |  |                                |  |  |  |  |
| <b>ADJUSTABLE VACUUM SWITCH</b> |            |          |               |                                 |                      |   |  |  |                                |  |  |  |  |
| <b>WK4</b>                      | -0.8>-0.15 | Membrane | 25            |                                 |                      |   |  |  |                                |  |  |  |  |

Highlighted yellow indicates standard option as priced above. Others available on request.