

# A-1200 Pressure Sensor

with IO-Link PNP or NPN Switching Output

## Description

The model A-1200 is a pressure sensor without display that can be flexibly programmed via IO-Link and used in a variety of ways – whether for pressure monitoring or as an electronic PNP/NPN switch for process control.

### Fast maintenance thanks to visual feedback

A 360° LED status display provides visual information about the sensor status. The green (OK), yellow (critical state) or red (error) signal enables intuitive and fast error detection and correction. For maintenance, a blinking function via IO-Link facilitates the clear localisation of a pressure sensor. Confusion is prevented and maintenance is accelerated.

## Applications

- Machine tools
- Hydraulics and pneumatics
- Automation engineering
- Special-purpose machine building

## Special features

- Industry 4.0-ready IO-Link sensor improves connectivity and diagnostics
- Designed for rough demands of up to 1,000 g shock and -40 ... +125 °C [-40 ... +257 °F]
- Optimised design makes OEM machine integration easier
- Multicolour 360° LED status display simplifies trouble-shooting and localisation



IO-Link



SWITCHES & TRANSMITTERS

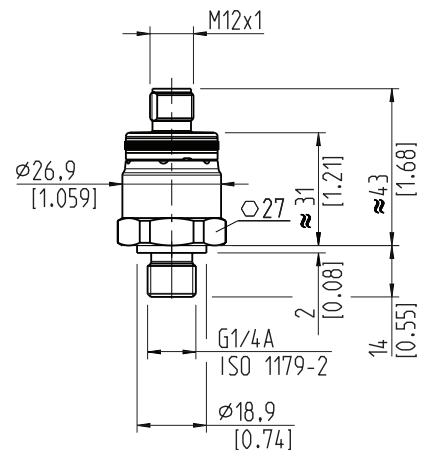
Connection orientation	Lower mount
Connection material	Stainless Steel
Output Signal	I-O Link plus one switching point
Accuracy	±1% fsd
Electrical Connection	M12 x4pin
Ranges	1/4" BSP (1/2" BSP available on request)

PRICE	£205.00 / €246.10
0 ... 0.4 bar	46971655
0 ... 0.6 bar	46971656
0 ... 1 bar	46971657
0 ... 1.6 bar	46971658
0 ... 2.5 bar	46971659
0 ... 4 bar	46971660
0 ... 6 bar	46971661
0 ... 10 bar	46971662
0 ... 16 bar	46971663
0 ... 25 bar	46971664
0 ... 40 bar	46971665
0 ... 60 bar	46971666
0 ... 100 bar	46971667
0 ... 160 bar	46971669
0 ... 250 bar	46971670
0 ... 400 bar	46971672
0 ... 600 bar	46971673
PRICE	£390.00 / €467.70
0 ... 1000 bar	46971674

Optional features	Additional price per unit
Absolute & compound pressure ranges	OR
Additopnal switching point	£57.60 / €69.10
Certificates	OR
Oil & grease free	£64.00 / €76.80
Extended temp range	£160.00 / €192.00

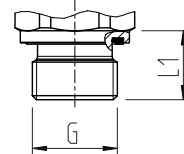
## Dimensions

Circular connector M12 x 1 with LED status display



Weight: 60 ... 100 g [2.12 ... 3.53 oz]

DIN EN ISO 1179-2  
(formerly DIN 3852-E)



G	L1
G ¼ A	14 [0.55]
G ½ A	17 [0.67]