



Electronic Pressure Switch With Display - PSD-4

Applications

- Machine tools
- Hydraulics and pneumatics
- Pumps and compressors
- Special-purpose machine building

Special features

- Easily readable, robust digital display
- Intuitive and fast setup
- Easy and flexible mounting configurations
- Flexibly configurable and scalable output signals

Description

Leading in design and functionality

The model PSD-4 pressure switch represents the extensive further development of the PSD-30 pressure switch, itself already awarded with the “iF product design award” for its outstanding functionality. A high accuracy of 0.5 %, freely configurable output signals (PNP/NPN, 4 ... 20 mA/0 ... 10 V), the 5:1 scalability of the analogue output, in addition to outstanding self-diagnostics, make the PSD-4 an excellent automation solution.

Customised installation

The installation of the PSD-4 can be flexibly adapted to the individual mounting situation. Due to the almost unlimited rotation of the digital display and case by more than 300°, the digital display can be adjusted independently of the electrical connection. The digital display can thus always be aligned to face the operator, and the M12 x 1 connection positioned to suit the desired cable routing.

High quality

During development of the WIKAL switch family a high value was placed on a robust design and the selection of appropriate materials suited to machine-building applications. For this reason the case and the threaded connection of the electrical connector are made from stainless steel. Overwinding or tearing off the connector is therefore virtually impossible.

IO-Link 1.1

With the optional output signal in accordance with the IO-Link communication standard, the PSD-4 allows a fast integration into modern automation systems. IO-Link offers simpler and faster installation, parameterisation and higher functionality for the PSD-4.

Accuracy, analogue signal

≤ ±0.5 % of span

Including non-linearity, hysteresis, zero offset and end value

Electrical connection

Connection

- Circular connector M12 x 1 (4-pin)

Electrical safety

Short-circuit resistance: S+ / SP1 / SP2 vs. U-

Reverse polarity protection: U+ vs. U-

Insulation voltage: DC 500 V

Overtoltage protection: DC 40 V

Connection diagrams

Circular connector M12 x 1 (4-pin)

	U+	1
	U-	3
	S+	2
	SP1 / C	4
	SP2	2

Circular connector M12 x 1 (5-pin)

	U+	1
	U-	3
	S+	5
	SP1 / C	4
	SP2	2

Legend:

- U+ Positive power supply terminal
- U- Negative power supply terminal
- SP1 Switching output 1
- SP2 Switching output 2
- C Communication with IO-Link
- S+ Analogue output

Electronic Pressure Switch With Display - PSD-4



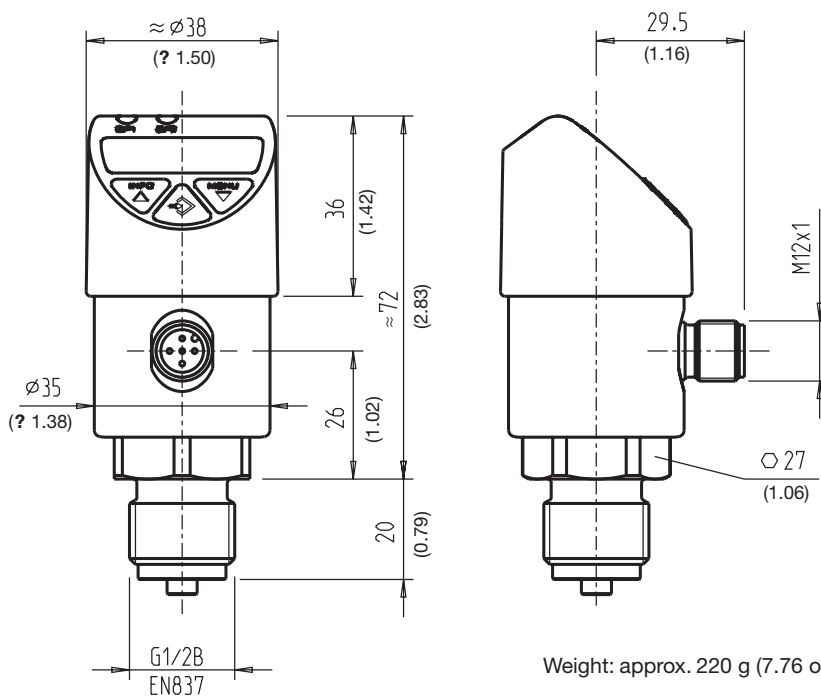
SWITCHES & TRANSMITTERS

Pressure Range	Article No.	Price £	Price €
1 Bar	14217011	OR	OR
1.6 Bar	46923542	OR	OR
2.5 Bar	14240409	OR	OR
4 Bar	14240414	OR	OR
6 Bar	14240416	OR	OR
10 Bar	14240418	OR	OR
16 Bar	14240422	OR	OR
25 Bar	14240424	OR	OR
40 Bar	14240427	OR	OR
60 Bar	14240428	OR	OR
100 Bar	14240430	OR	OR
160 Bar	14240434	OR	OR
250 Bar	14240436	OR	OR
400 Bar	14240440	OR	OR
600 Bar	14241998	OR	OR



Dimensions

Pressure switch with circular connector M12 x 1 (4-pin and 5-pin)



Weight: approx. 220 g (7.76 oz)

Approvals

Logo	Description	Country
CE	EU declaration of conformity - EMC directive - Pressure equipment directive - RoHS directive	European Union
EAC	EAC - EMC directive	Eurasian Economic Community
UL LISTED	UL Safety (e.g. electr. safety, overpressure, ...)	USA and Canada