



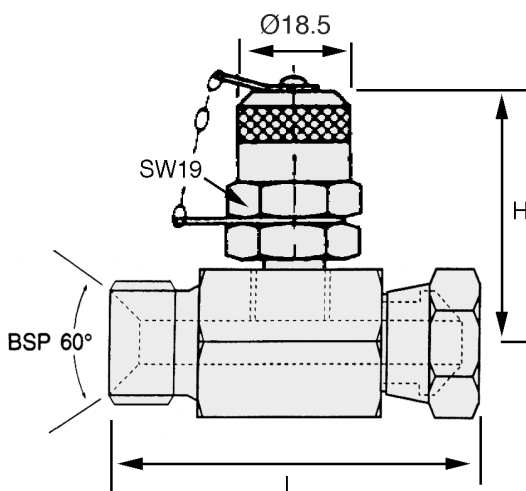
Inline Pressure Test Points BSP Male x Female

Test Point Connection M16x2 400 BAR Rated

Article no.	Size	PN – BAR	Price £	Price €
340985	1/4"	400	£17.50	€21.00
340986	3/8"	400	£17.90	€21.40
340987	1/2"	400	£18.30	€21.90
340988	3/4"	400	£23.20	€27.80
340989	1"	400	£26.00	€31.20

Materials

Body	Steel
Seal	NITRIL - Others on Request
Temp. Range	-30 to +100°C



Dimensions

	L	H
1/4"	50	45
3/8"	53	49
1/2"	60	50
3/4"	64	53
1"	66	58