

# Test Point with "DIN 2353" Inline Coupling

Light Series / Heavy Series

Test Point Connection M16x2

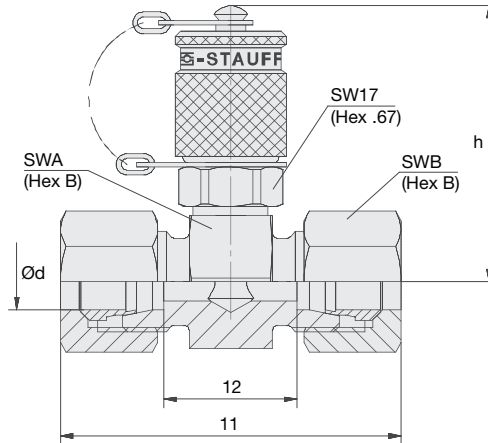
160 - 630 BAR Rated



TEST POINTS

### Materials

Body Steel  
 316 Stainless Steel - On Request  
 Seal NITRIL - Others on Request  
 Temp. Range -30 To +100°C



### Light Series

TUBE O.D.	G	l1	l2	h	SW A	SW B	PN BAR	Article no.	Price £	Price €
6L	M12 x 1.5	51	21	49	24	14	315	20.40.06	£31.20	€37.40
8L	M14 x 1.5	51	21	49	24	17	315	20.40.08	£31.60	€37.90
10L	M16 x 1.5	53	23	49	24	19	315	20.40.10	£32.60	€39.10
12L	M18 x 1.5	53	23	50.5	27	22	315	20.40.12	£33.40	€40.00
15L	M22 x 1.5	55	25	52	30	27	315	20.40.15	£35.80	€42.90
18L	M26 x 1.5	57	24	53	32	32	315	20.40.18	£41.40	€49.70
22L	M30 x 2	61	28	55	36	36	160	20.40.22	£44.40	€53.20
28L	M36 x 2	61	28	57.5	41	41	160	20.40.28	£55.70	€66.80
35L	M45 x 2	69	26	60	46	50	160	20.40.35	£64.10	€77.00
42L	M52 x 2	71	25	64.5	55	60	160	20.40.42	£75.30	€90.40

### Heavy Series

TUBE O.D.	G	l1	l2	h	SW A	SW B	PN BAR	Article no.	Price £	Price €
6S	M14 x 1.5	55	25	49	24	17	630	20.41.06	£32.60	€39.10
8S	M16 x 1.5	55	25	49	24	19	630	20.41.08	£31.90	€38.30
10S	M18 x 1.5	57	24	49	24	22	630	20.41.10	£33.40	€40.00
12S	M20 x 1.5	57	24	49	24	24	630	20.41.12	£34.40	€41.30
14S	M22 x 1.5	63	27	50.5	27	27	630	20.41.14	£31.30	€37.60
16S	M24 x 1.5	63	26	52	30	30	400	20.41.16	£40.70	€48.80
20S	M30 x 2	69	26	55	36	36	400	20.41.20	£46.50	€55.80
25S	M36 x 2	75	27	57.5	41	46	400	20.41.28	£51.60	€61.90
30S	M42 x 2	81	28	60	46	50	400	20.41.30	£65.20	€78.20
38S	M52 x 2	91	29	64.5	55	60	315	20.41.38	£79.20	€95.00