

# Pressure Gauge Adaptors for Direct Mount onto Test Point

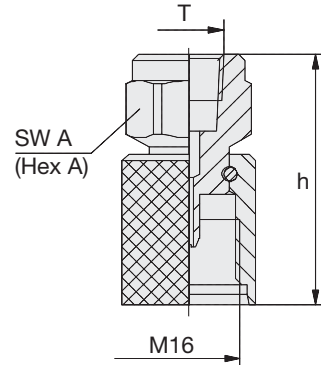
**630 BAR Rated**

Article no.	T	h	SW A	Price £	Price €
20.21.33	G1/4"	41	19	£15.10	€18.20
20.21.34	G1/2"	51	27	£22.50	€27.00
20.21.43	1/4" NPT	41	19	£28.60	€34.30
20.21.44	1/2" NPT	51	27	£31.60	€37.90

**Stainless Steel - Available on request**

### Materials

Body	Steel 316 Stainless Steel - On Request
Seal	NITRIL - Others on Request
Temp. Range	-30 to +100°C



# Pressure Gauge Adaptors for Monitoring Hose

**630 BAR Rated**

Article no.	T	h	SW A	Price £	Price €
20.20.33	G1/4"	54	19	£12.60	€15.20
20.20.34	G1/2"	64	27	£23.90	€28.70
20.20.43	1/4" NPT	54	19	£20.20	€24.20
20.20.44	1/2" NPT	64	27	£23.90	€28.70

### Materials

Body	Steel 316 Stainless Steel - On Request
Seal	NITRIL - Others on Request
Temp. Range	-30 TO +100°C

