



# Bimetal Thermometers - Model A43

## Standard Version



The model A43 bimetal thermometer was developed as a standard version for simple temperature indication in heating applications.

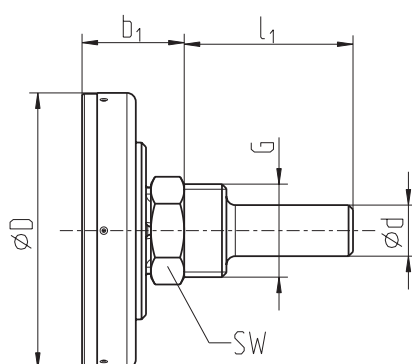
Its modular design enables a multitude of combinations of case materials, nominal sizes, scale ranges and stem lengths. This ensures that the basic dimensions are maintained.

The standard scope of delivery of the model A43 includes a thermowell. The thermowell can be operated with an operating pressure up to a maximum of 6 bar.

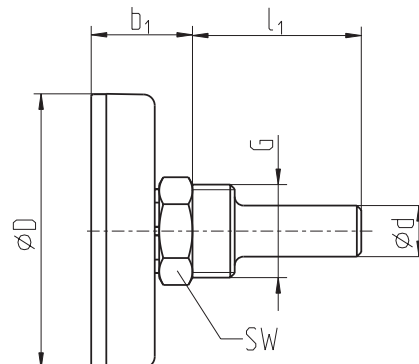
The model A43 is manufactured to tolerance class 2 in accordance with EN 13190 and thus offers the required indication accuracy for heating technology.

Measuring Principle	Bimetallic						
Case	Plastic			Aluminium			
Accuracy	Class 2 to DIN 16203			Class 2 to DIN 16203			
Case Diameter	63mm	80mm	100mm	63mm	80mm	100mm	160mm
Thermowell	Brass : clip-on			Brass : secured with pinch screw			
Bulb Location	Axial			Axial			
Range	0/120°C			0/120°C			
	G1/2B			G1/2B			
PRICE	OR	OR	OR	OR	OR	OR	OR
Thermowell connection	3908803	3908806	3908809	3901661	3901785	3906647	
Immersion $l_1 = 60\text{mm}$	3908804	3908807		3901670	3901793	3901904	3901998
Immersion $l_1 = 100\text{mm}$	3908805		3908811	3901688	3901807	3901912	
Immersion $l_1 = 160\text{mm}$				3901696	3901815	3901920	3902013
Immersion $l_1 = 200\text{mm}$				3508331	3908470	3908488	3908496

Model A43.10, A43.20



Model A43.30



## Dimensions

DIAL	DIMENSIONS mm						
SIZE	$b_1$	$\varnothing d$	$\varnothing D$	$l_1$	G	SW	
63mm	24	11.5 <sup>1)</sup>	63 (61.6...62.2)	40, 60, 100 (optional: 160)	G 1/2 B	SW 21	
80mm	24	11.5 <sup>1)</sup>	80 (78.6...79.4)	40, 60, 100 (optional: 160)	G 1/2 B	SW 21	
100mm	24	11.5 <sup>1)</sup>	100 (98.6...99.4)	40, 60, 100 (optional: 160)	G 1/2 B	SW 21	