

# Needle Valves – Double Acting Flow Control NDV Series

**350 BAR Rated**



Article no.	Size BSP	Max Pressure BAR	Max Flow LPM	Price £	Price €
9201001	1/8"	350	10	£47.50	€48.90
9201002	1/4"	350	50	£36.90	€38.00
9201003	3/8"	350	75	£45.70	€47.10
9201004	1/2"	350	140	£56.90	€58.70
9201005	3/4"	350	175	£70.00	€72.20
9201006	1"	350	350	£149.10	€153.70
9201007	1 1/4"	350	350	£187.00	€192.80
9201008	1 1/2"	350	350	£229.40	€236.60

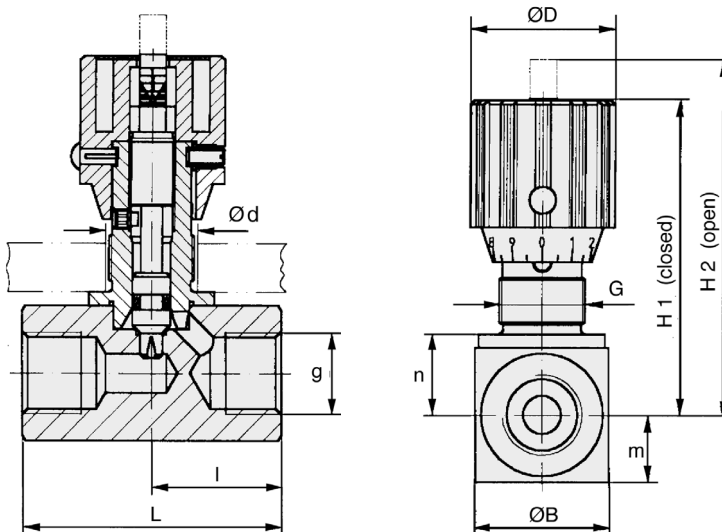
### Panel Mounting Nuts – STEEL

Article no.	Size	Price £	Price €
10095	1/4" & 3/8"	£7.10	€7.30
10096	1/2" & 3/4"	£6.90	€7.10
10097	1" - 1 1/2"	£6.90	€7.10



### Materials

Body	Steel 9SMn28K
Stem	Steel
Stem Seal	NITRIL (Others On Request)
Temp. Range	-10 TO +100°C
Control Knob	Nylon



### Dimensions (mm)

Type	Pn	g	H2	H1	m	n	B	l	L	D	d	G	weight kg
9201001	350	G1/8	60	55	8	10	16	19	38	24	13	Pg7	0.12
9201002	350	G1/4	71	65	12.5	14.5	25	24	48	29	19	Pg11	0.25
9201003	350	g3/8	75	68	15	17	30	29	58	29	19	Pg11	0.4
9201004	350	G1/2	92	82	17.5	21	35	34	68	38	23	Pg16	0.7
9201005	350	g3/4	106	96	22.5	26	45	39	78	38	23	Pg16	1.2
9201006	350	G1	149	132	25	30	50	54	108	55	38	Pg29	2.1
9201007	350	g1 1/4	154	137	30	35	60	54	108	55	38	Pg29	2.8
9201008	350	g1 1/2	159	142	35	40	70	54	108	55	38	Pg29	3.5