

Valves Fitted with Mechanical Limit Switches

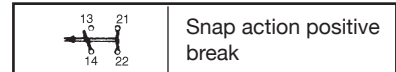
Article no.		Price £	Price €
suffix LS	1 switch fitted	£95.60	€114.70
suffix LS2	2 switches fitted	£131.60	€157.90
LS	loose switch	£36.00	€43.20
LSB	BRACKET ONLY	£65.60	€78.70
SWBOX	Limit Switch Enclosed Box	£68.40	€82.10

Materials

Body Material	Fibreglass-reinforced thermoplastic, self-extinguishing
Contact Material	Refined silver
Type of contacts	2 contacts with 4 terminals, change-over, double gap, moving contacts electrically separated

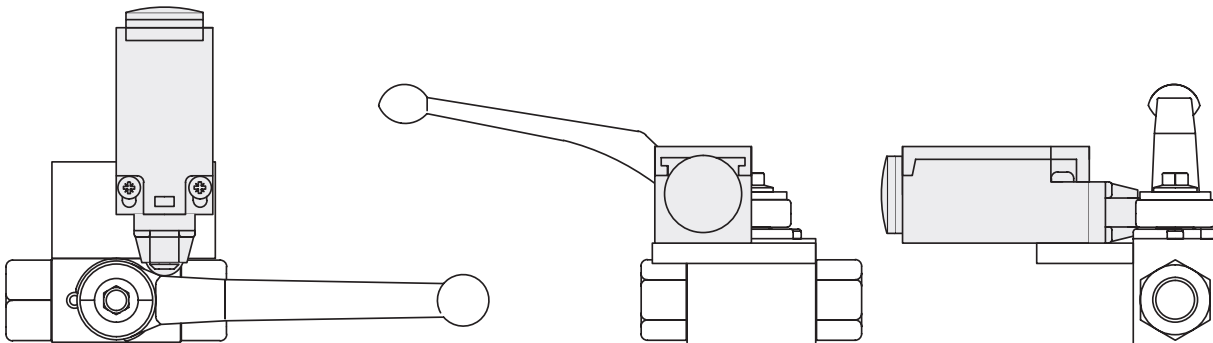
Features

Conformity to standards:	IEC/VDE 0660 p. 206, IEC 204/VDE 0113, DIN EN 50047
Degree of protection of enclosure:	IP 67 conforming to IEC 529/DIN 40050 (NEMA 1, 3, 4, 6, 12, 13)
Type of terminals:	M3.5 screws
Insulation category:	Conforming to VDE 0110, group C
Operating Temperature:	-30 to +80°C (-22 to +175°F)
Mechanical life:	20 mill ops.
Operating rate:	Max 5,000 ops./hour
Rating:	4A @ 230v AC 2.5A @ 400v AC 1A @ 500v AC

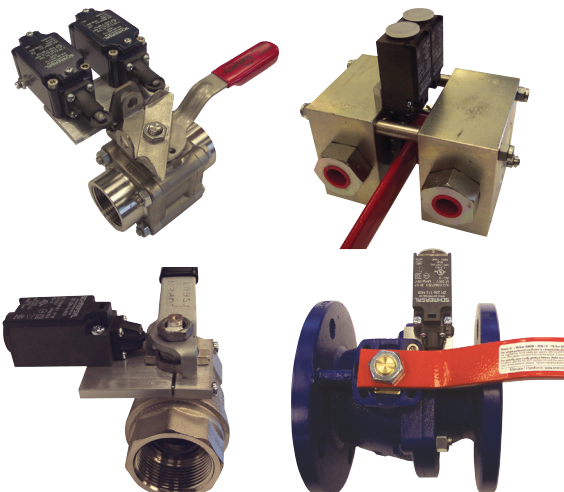


On Request-

- Standard design other options available
- EEXD Explosion proof available
- With PROXIMITY switches



Typical Limit Switch Arrangements



Valve Fitted with Enclosed Switch Box - 'SWBOX'

