

**Bottom entry version on request**

## 316 Stainless Steel 3 Way 'L' Bore Ball Valves

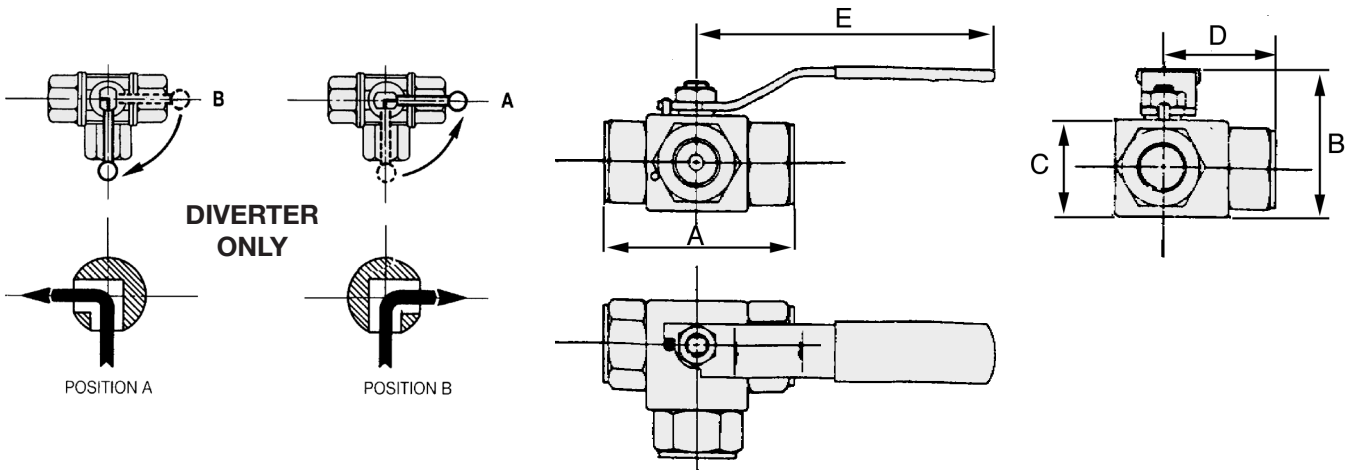
**400 BAR / 6000 PSI Rated**

Article no. <b>NPT</b>	Size BSP	Max Pressure BAR	Price £	Price €
<b>97001</b>	1/4"	400	<b>ON REQUEST</b>	
<b>97002</b>	3/8"	400	<b>ON REQUEST</b>	
<b>97003</b>	1/2"	400	<b>ON REQUEST</b>	
<b>97007</b>	3/4"	400	<b>ON REQUEST</b>	
<b>97008</b>	1"	400	<b>ON REQUEST</b>	

Article no. <b>BSP</b>	Size BSP	Max Pressure BAR	Price £	Price €
<b>97004</b>	1/4"	400	<b>ON REQUEST</b>	
<b>97005</b>	3/8"	400	<b>ON REQUEST</b>	
<b>97006</b>	1/2"	400	<b>ON REQUEST</b>	
<b>98296</b>	3/4"	400	<b>ON REQUEST</b>	
<b>98651</b>	1"	400	<b>ON REQUEST</b>	

### Materials

Body	316 Stainless Steel
Stem	316 Stainless Steel
Stem Seal	RTFE
Ball Seal	PVDF
Temp. Range	-30 to +150°C



### Dimensions (mm)

SIZE	A	B	C	D	E	BORE	kg
1/4"	71	61	32	34	115	10	0.46
3/8"	75	61	32	36	115	10	0.52
1/2"	83	61	32	40	115	10	0.60
3/4"	90	69	38	45	115	12.7	0.90
1"	109	90	50	54	165	20	1.70