

3 Way Ball Valve 'L' Bore - Delta series

with Aluminium Lever - Self-Cleaning System

10 - 40 BAR Rated - PN40



BRASS & BRONZE BALL VALVES

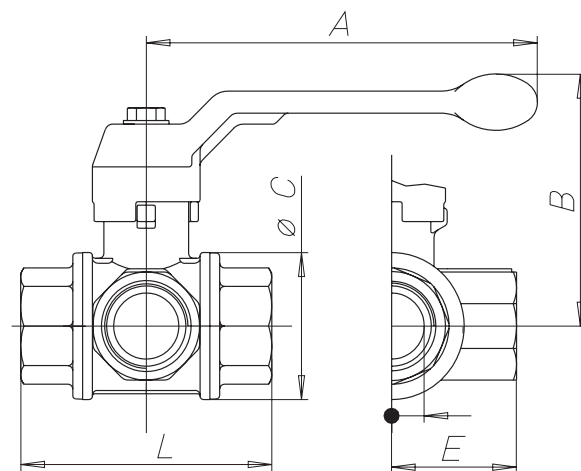
Technical Information

Temp. Range	-10 to +100°C
Bore	Full
Stem	Security system with self-adjusting gland.
Seats	High resistance virgin PTFE.
Upper seal	DSS4® Dynamic Sealing System (international patent) 4 anti-friction self-adjusting cone-shaped seals, in PTFE, with dynamic seals. Ideal system to ensure long life cycles, high and low pressure.
Finishing:	Internal surfaces are nickel free and comply with forthcoming European drinking water regulations.
Ball	Special self-washing system that avoids stagnation.

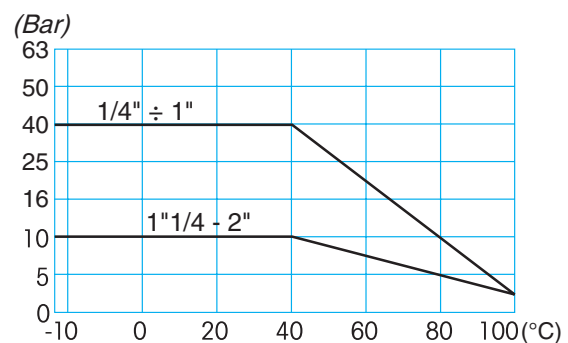
Article no.	Size	Max Pressure BAR	Price £	Price €
1150N202	1/4"	40	£47.60	€49.10
1150N203	3/8"	40	£47.60	€49.10
1150N204	1/2"	40	£54.70	€55.40
1150N205	3/4"	40	£71.90	€74.10
1150N206	1"	40	£108.50	€111.90
1150N207	1 1/4"	10	£162.60	€167.70
1150N208	1 1/2"	10	£240.30	€247.80
1150N209	2"	10	£368.10	€379.60

Materials

Body & Threaded end	CW617N (Pb ≤ 2,2% DIN 50930T6)
Gland	CW617N
Gland nut	CW617N
Stem	CW617N (Pb ≤ 2,2% DIN 50930T6)
Chromium pl. polished ball	CW617N (Pb ≤ 2,2% DIN 50930T6)
Seats	PTFE
Operating device	aluminium alloy
Fixing screw	zinc plated steel
Surface treatment	Nickel plating outside, plain brass inside



Pressure/Temperature Chart



Dimensions (mm)

Size (in)	1/4"	3/8"	1/2"	3/4"	1"	1 1/4"	1 1/2"	2"
Size (mm)	8	10	15	20	25	32	40	50
ØD bore	10	10	14	20	25	32	40	50
A	100	100	100	120	120	150	150	175
B	61	61	64	76	80	98	104	119
ØC	29	29	36	45	54	65	79	96
E	26	27	33	38	46	54	61	73
L	52	55	69	77	89	103	114	134
kV	1.7	2.5	3.5	5.5	9.2	20	37.2	48.7