

MANUAL

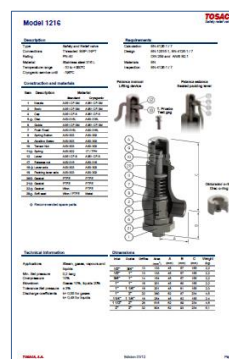
1. MANUAL Read this manual carefully before installing the safety valve



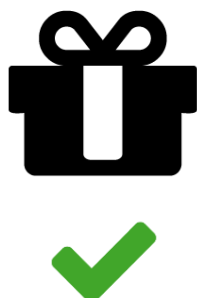
2. The information you need can be found in the data sheet on our website by email

www.tosaca.es/products

info@tosaca.es



3. Safety valves are products of high quality and should be handled with care

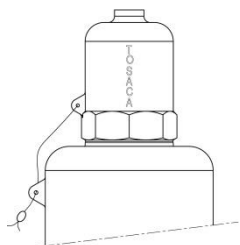


4. SET PRESSURE. Check the Set pressure is correct on the nameplate (working pressure 10%)

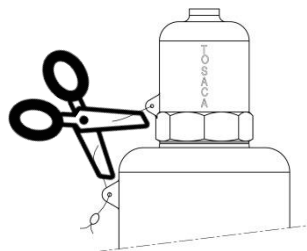


CE	Sete	1415	A.	xxxx	mm ²
1035	PN	xxxx		bar/g	T.20° C
TOSACA S.A.	Tara	X.X.X		x	bar/g
BARCELONA SPAIN	Contrap.	esson		kg/h	
www.tosaca.com	Caudal	xxxx			
	Numero	XXXX+Afo			

5 . WARRANTY. If the original factory seal is broken, the warranty automatically becomes void

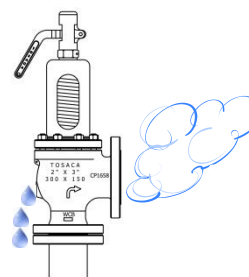


WARRANTY 12 month

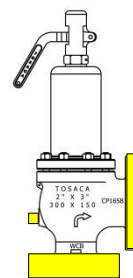
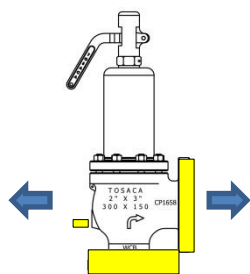


6. INSPECT the safety valves installed once a week

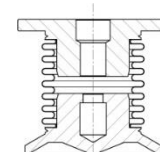
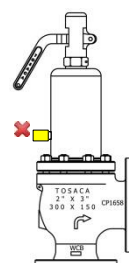
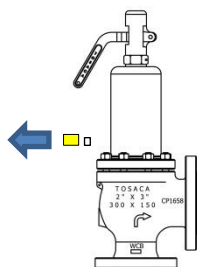
1 x week



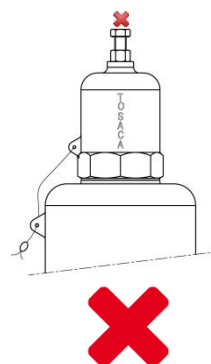
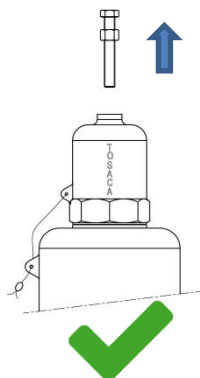
7. INSTALLATION. Remove the flange covers and caps before installing the valve



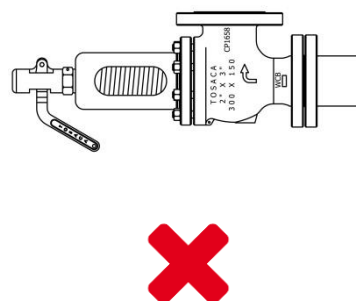
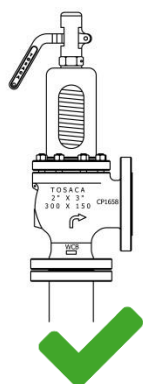
8. INSTALLATION. The valves with bellows you MUST leave the vent hole open to the atmosphere, do not plug the vent



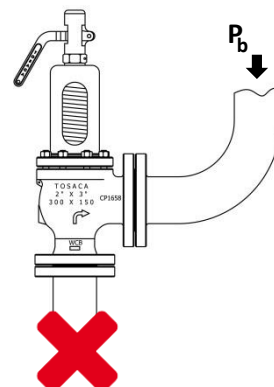
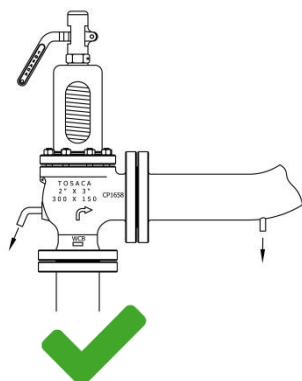
9. INSTALLATION. If there is test gag, remove



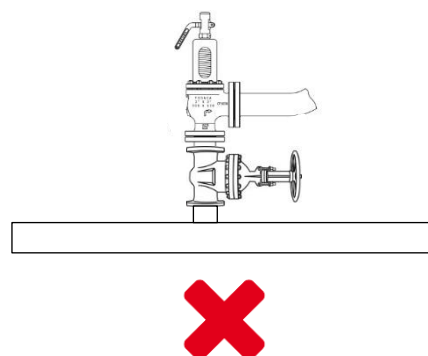
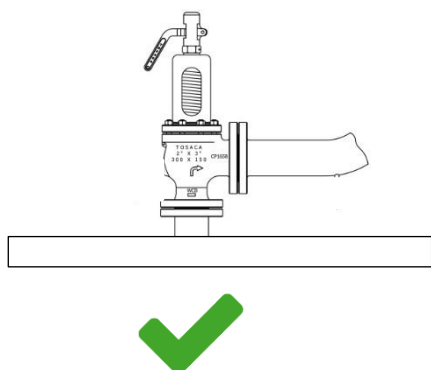
10. INSTALLATION. Safety valves should be installed vertically



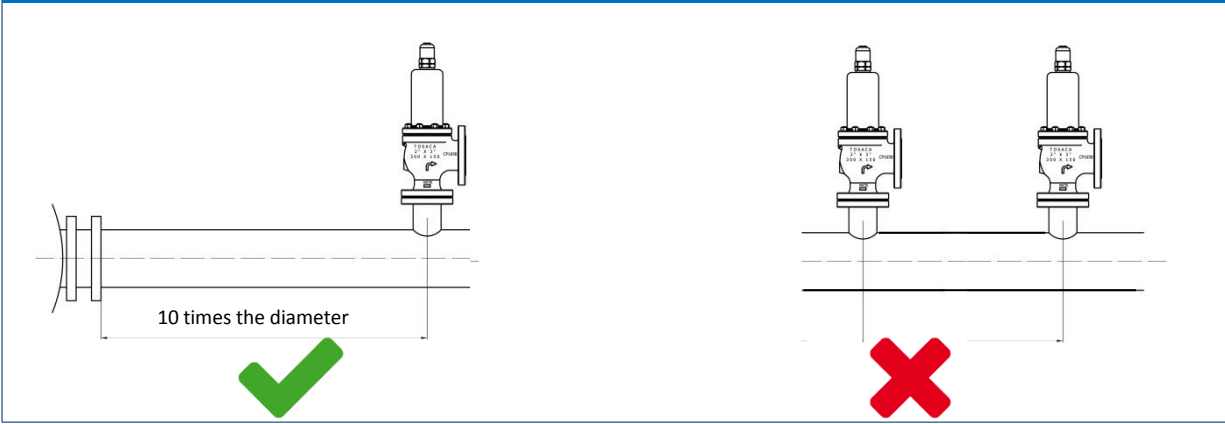
11. INSTALLATION. Check the outlet allows for condensation removed and free from any back pressures



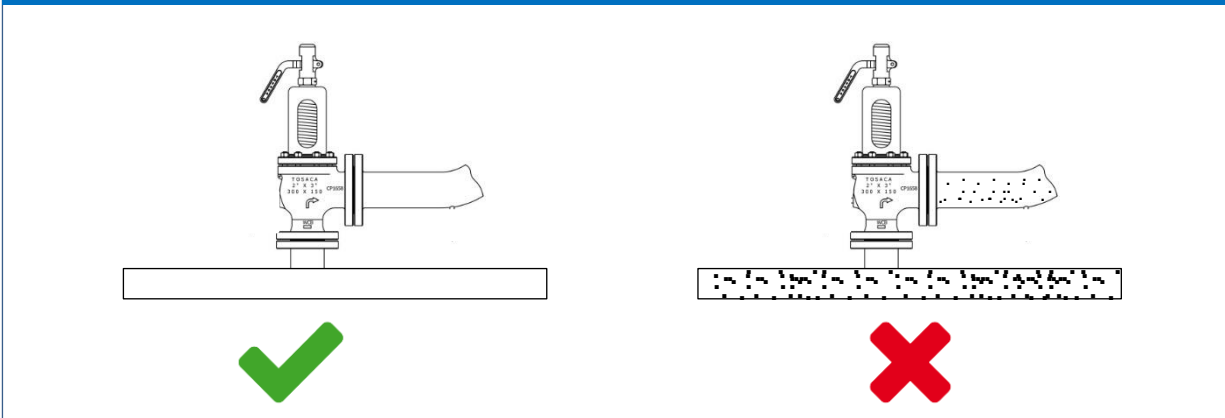
12. INSTALLATION. Inlet: There should be no intervening valves.



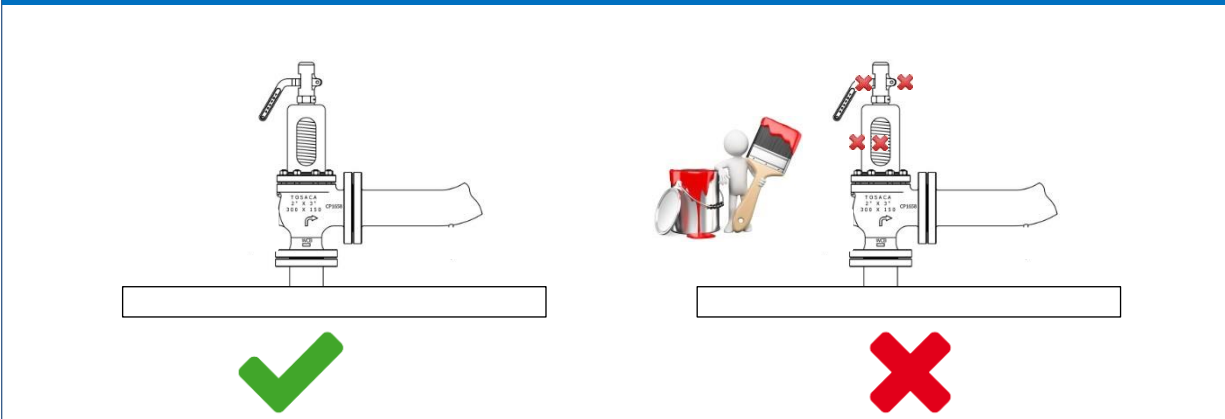
13. INSTALLATION. The safety valve must be separated from others system valves by at least 10 times the pipe diam.



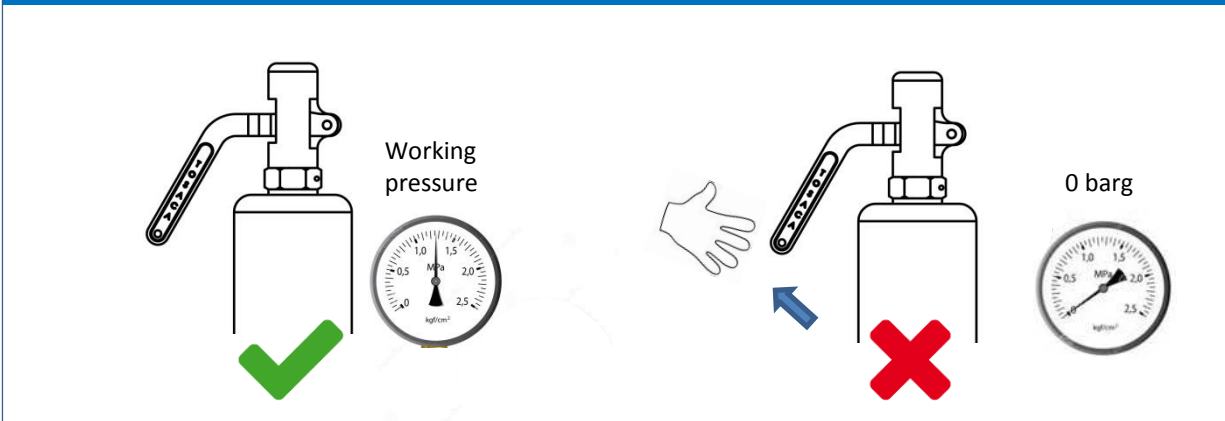
14. INSTALLATION. The pipes should be cleaned of foreign particles before installing the valves



15. INSTALLATION. If subsequent painting, Do not paint spring, lever and nameplate



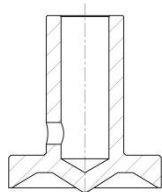
16. INSTALLATION. Only operate the lever to test the valve under pressure. Do not operate the lever at other times.



17. INSTALLATION Take care to avoid contamination from PTFE tape or equivalent



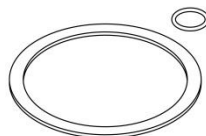
18. RECOMMENDED SPARE PARTS. They are not needed in the implementation, for two years of operation



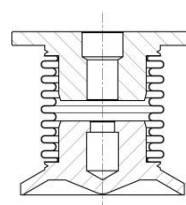
Disc



Spring



Gasket kit

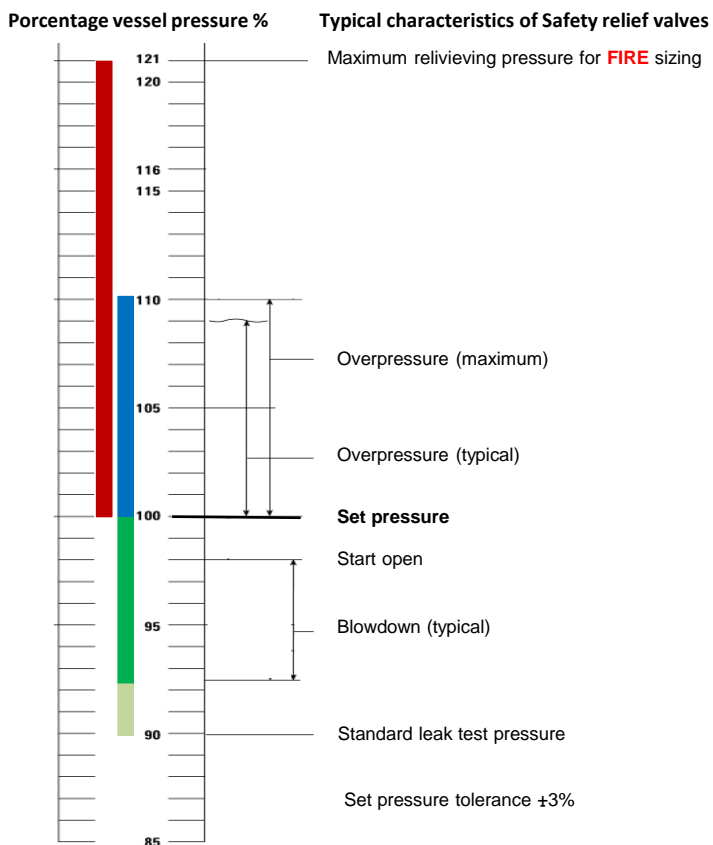


Bellows kit

(Only if the safety valve is with bellows)



19. INSTALLATION. Set pressure must be minimum = working pressure + 10%



EC Declaration of conformity
Declaración de conformidad CE**Pressure equipment directive 97/23/CE**
Directiva de equipos a presión 97/23/CE

Name and address of the manufacturer : TOSACA, S.A. C/ Guifré, 791 08918-Badalona SPAIN
Nombre y dirección del fabricante

Branding name: TOSACA
Marca comercial

Description of pressure equipment: Safety and relief valves / Válvulas de seguridad y alivio
Descripción de los equipos a presión

Code or standard applied: UNE-EN-ISO 4126-1 (2004); UNE-EN-ISO 12516-1 /2 (2005)
Código ó norma aplicada

Certification type: Category IV Annex III Module B+D / Categoría IV Anexo III Modulo B+D
Tipo de certificación

EC type-examination certificate (module B): Certificado de examen CE de tipo (modulo B)	Type: Serie	DN Nominal size Diametro nominal
Nº CE-0056-PED-B-TOS-004-11ESP	1216	½" x ¾" – 2" x 2"
Nº CE-0056-PED-B-TOS-004-11ESP	1216C	15 x 25 – 40 x 40 15 x 1" – 40 x 2"
Nº CE-0056-PED-B-TOS-004-11ESP	1216 HP	½" x ¾" – 2" x 2"
Nº CE-0056-PED-B-TOS-004-11ESP	1216B	15 x 25 – 25 x 25 ½" x ¾" – 1" x 1"
Nº CE-0056-PED-B-TOS-003-11ESP	1400	15 x 25 – 400 x 500
Nº CE-0056-PED-B-TOS-002-11ESP	1415	½"D x 1" – 16"X x 20"

Notified body(Module B): ECA ENTIDAD COLABORADORA DE LA ADMINISTRACIÓN, S.A.U.
Organismo notificado(Modulo B) (notified body number 0056) Avda. Can Fatjó dels Aurons, 9 Parque Empresarial A7 08174-Sant Cugat del Valles SPAIN

This certificate is valid until: 22/12/2021
Este certificado es valido hasta

EC type-examination certificate (module D): Production Quality Assurance: No. ES037955-1035
Certificado de examen CE de tipo (modulo D) Fabricación, calidad e inspección final nº ES037955-1035

Notified body(Module D): BUREAU VERITAS IBERICA, S.L.. (notified body number 1035) C/
Organismo notificado(Modulo D) Valportillo Primera 22-24 28108- Alcobendas SPAIN

TOSACA confirms by this declaration, these safety and relief valves are in design, manufacturing, and inspection meet the requirements of the Directive 97/23/CE of the European Parliament and Council of 29 May 1997 Category IV Annex III- Module B+D of pressure equipment.

TOSACA declara, que las válvulas de seguridad de los equipos aquí reflejados cumplen en diseño, fabricación y control final, la Directiva 97/23/CE del Parlamento Europeo y del Consejo, del 29 de Mayo del 1997 Categoría IV anexo III, Modulo B+D relativa a los equipos a presión.

Date/ Fecha: 30.05.2012

Managing director/ Director general