

SANITARY PRESSURE GAUGES SMAN63

DESCRIPTION

The ADCAPure SMAN-63 are reliable general purpose sanitary bourdon tube pressure gauges designed for pressure measurement of liquid and gaseous media. These units have a size diameter of 63 mm, range marked in bar and are fully manufactured in stainless steel.

MAIN FEATURES

Compact full stainless steel construction.
Wetted parts in AISI 316L / 1.4435 – flush diaphragm.
Designed according to EN 837-1.
Bayonet lock case with blow-out.
Suitable to be filled with glycerine.

STANDARD SURFACE FINISH

Wetted parts: $\leq 0,76 \mu\text{m Ra}$ – SF3.

OPTIONS: Electropolished $\leq 0,38 \mu\text{m Ra}$ (SF4) wetted parts.
High temperature design on request.

USE: Gases and liquids compatible with the construction.

AVAILABLE MODELS: SMAN63R – radial connection.
SMAN63A – axial connection.

SIZES: 3/4".

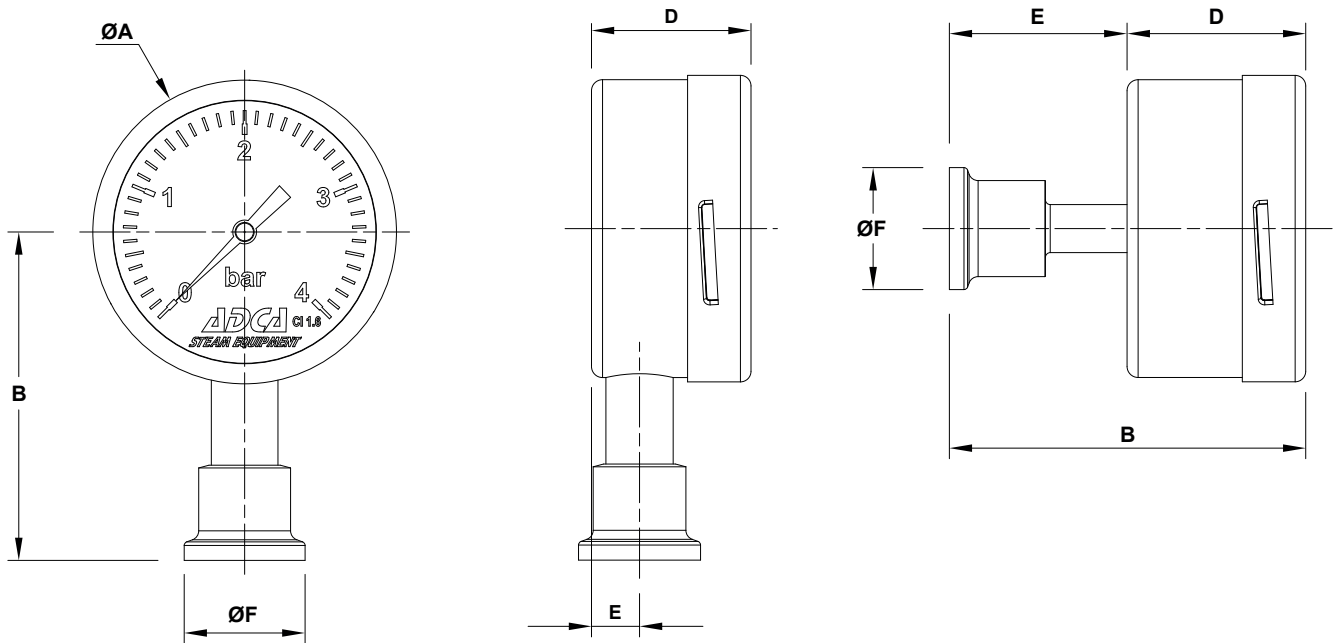
CONNECTIONS: ASME BPE clamp ferrules.
Others on request.

MEASURING RANGES: 0 to 4 bar; 0 to 6 bar; 0 to 10 bar; 0 to 16 bar.



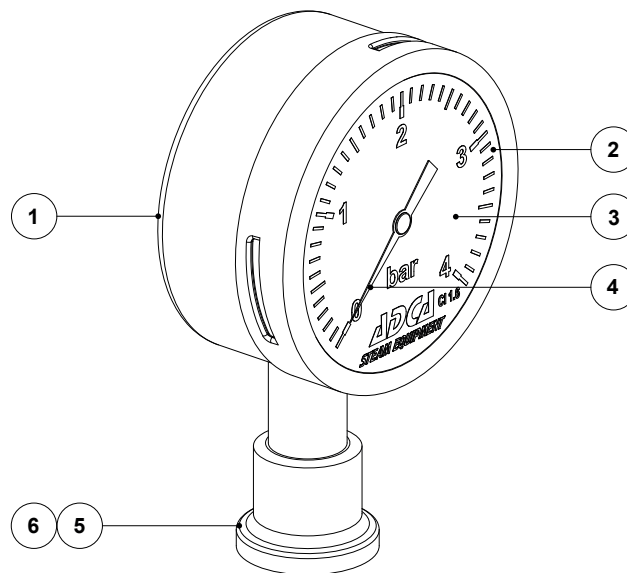
LIMITING CONDITIONS	
Accuracy	$\pm 2,5\%$ FS
IP rating	IP 65
Maximum allowable pressure	Full scale reading
Maximum operating temperature	120 °C *
Minimum operating temperature	-20 °C
Ambient temperature	-10 to 60 °C

* 150 °C for short term (cleaning). Other limits on request.



DIMENSIONS (mm)

MODEL	ØA	B	D	E	ØF	WEIGHT (kg)
SMAN-63R	63,8	69	33,2	10	25,4	0,2
SMAN-63A	63,8	74,2	37,2	37	25,4	0,4



MATERIALS

POS. No.	DESIGNATION	MATERIAL
1	Case and bezel ring	AISI 304 / 1.4301
2	Window	Glass
3	Dial	White aluminium
4	Pointer	Black aluminium
5	Connection	AISI 316L / 1.4435
6	Measuring system	AISI 316L / 1.4435



Valsteam ADCA is an EHEDG Member



ORDERING CODES SMAN63											
MODEL	SM	063	R	X	V015	X	X	X	D	20	
SMAN – Sanitary pressure gauge	SM										
CASE SIZE											
Ø63		063									
DESIGN											
Radial			R								
Axial			A								
MATERIAL											
AISI 316L / 1.4404 wetted parts				X							
MEASURING RANGE											
-1 to 1,5 bar					V015						
0 to 2,5 bar					0025						
0 to 4 bar					0040						
0 to 6 bar					0060						
0 to 10 bar					0100						
0 to 16 bar					0160						
0 to 25 bar					0250						
0 to 40 bar					0400						
OPTIONS											
None						X					
Glycerine filled						G					
SURFACE FINISH											
Standard surface finish							X				
Electropolished wetted parts (SF4)							Q				
SPECIAL FEATURES											
None								X			
High temperature design									H		
PIPE CONNECTIONS											
Clamp ferrule ASME BPE										D	
SIZE											
3/4"											20
SPECIAL CONSTRUCTION / ADDITIONAL OPTIONS											
Full description or additional codes have to be added in case of non-standard combination											E