

SAMPLE COOLERS SC32P

DESCRIPTION

The ADCAPure SC32P sample coolers consist in a helical-coil heat exchanger used to take samples quickly and safely from steam generators, clean or pure steam systems, WFI, and other high purity mediums. Its spiral design saves significant space without compromise and a counter current flow path maximizes heat transfer and consequently cooling efficiency. The vertical sampling side ensures self drainability, as medium flows naturally by gravity to the sample outlet with no chance to remain inside.

The device is available with integrated mounting brackets for fixed installation at the point of use or alternatively in a portable version (suffix PP) to carry along to any sampling point within the system.

MAIN FEATURES

Fully manufactured from corrosion-resistant 316L stainless steel.
Compact and efficient.
Self-drainable design eliminates possibility of sample retention.
Integrated mounting bracket and alternative portable version.

STANDARD SURFACE FINISH

Internal wetted parts: $\leq 0,51 \mu\text{m Ra} - \text{SF1}$.
External: $\leq 0,76 \mu\text{m Ra} - \text{SF3}$.
Other surface conditions see TIS.GIA – General information ADCAPure.
Ultrasonic cleaning.

USE: Steam, WFI, and other liquids and condensable gases compatible with the construction.

AVAILABLE MODELS: SC32P – fixed installation version.
SC32PP – portable version.

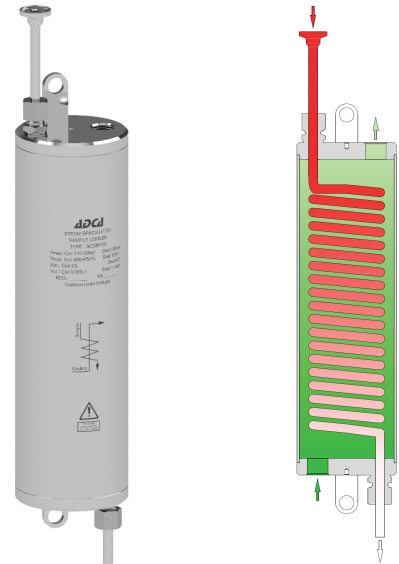
SIZES AND CONNECTIONS: Cooling water inlet/outlet: 1/2" on body (ISO 228 or NPT) or 3/4" ASME BPE clamp ferrules.
Sample tube inlet/outlet: 8 mm O/D or 1/2" ASME BPE clamp ferrules.

PACKAGING: Assembling and packaging in a clean room certified according to ISO 14644-1.
The product is end capped and sealed with recyclable thermo-shrinkable plastic film, to avoid contamination.

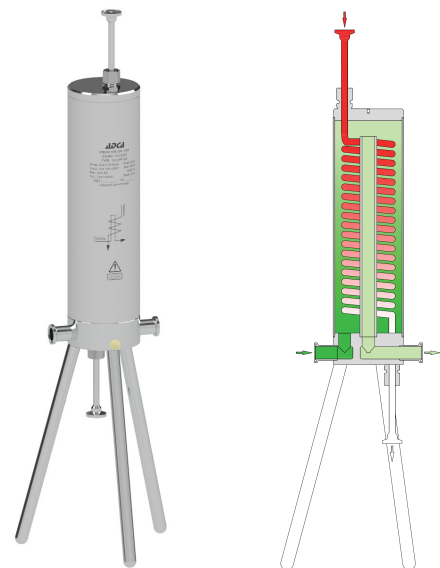
INSTALLATION: Vertical installation. See IMI – Installation and maintenance instructions.

OPERATION: Cooling water must be at its maximum flow before opening or closing the sample inlet valve, in order to avoid scalding.
Sample valve must also be closed before opening the cooling water valve.
Sample coil should always be completely immersed in water.

PERFORMANCE: 30 to 60 kg/h of sample water at $\approx 30 \text{ }^\circ\text{C}$ with $1 \text{ m}^3/\text{h} - 15 \text{ }^\circ\text{C}$ inlet cooling water (boilers up to 20 bar – 220 $^\circ\text{C}$). For other pressures, temperatures and/or certified values, consult the manufacturer.



SC32P



SC32PP

CE MARKING – GROUP 2
(PED – EUROPEAN DIRECTIVE)

PS 20 bar

CATEGORY

All sizes

SEP

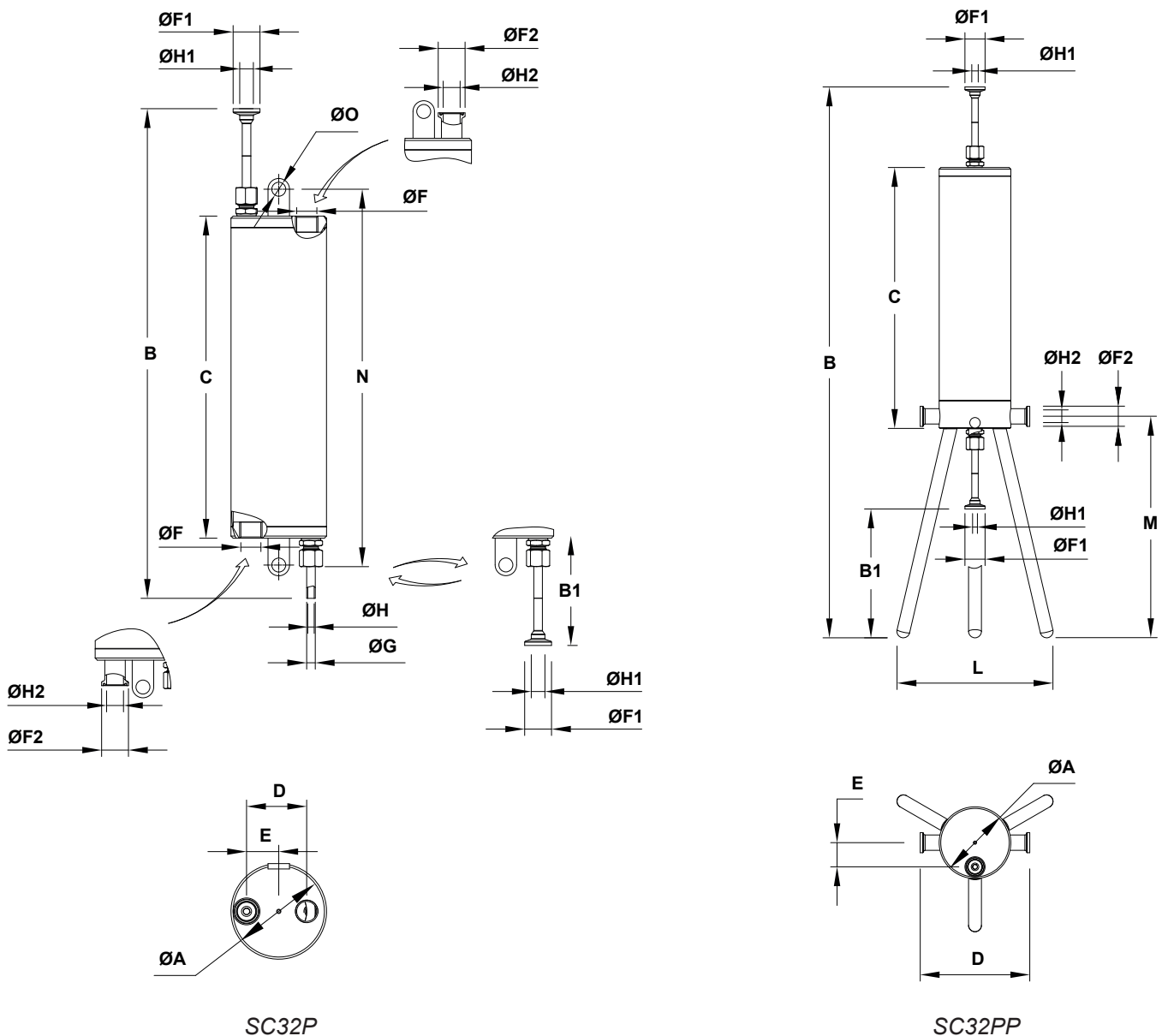
MATERIALS	
DESIGNATION	MATERIAL
Body	AISI 316L / 1.4404
Cover	AISI 316L / 1.4404
Coil *	AISI 316L / 1.4404; AISI 316L / 1.4435
Compression fitting	AISI 316Ti / 1.4571
Discharge tube	AISI 316L / 1.4404

LIMITING CONDITIONS *				
MODEL	BODY		COIL	
	ALLOW. PRESS.	RELATED TEMP.	ALLOW. PRESS. *	RELATED TEMP. *
SC32P SC32PP	20 bar	120 °C	110 bar	400 °C
			90 bar	450 °C

Minimum operating temperature: -10 °C.

* Other limits on request. Maximum operating conditions may be limited by the equipment end connections due to normative restrictions.

* EN 10204 3.1 certificate and internal surface finish certification available if requested with the order.



DIMENSIONS (mm)																		
MODEL	ØA	B	B1	C	D	E	ØF **	ØF1	ØF2	G	H	ØH1	ØH2	L	M	N	ØO	WGT. (kg)
SC32P	90	456	500	300	26	30	1/2"	25	25	8	6	6	15,75	-	-	350	13	3,3
SC32PP	90	684	160	324	136	30	1/2"	25	25	-	-	6	15,75	194	275 *	-	-	5,9

* Extended legs on request. ** Valid for units with threaded cooling water connections. Can be threaded ISO 228 or NPT.



ORDERING CODES SC32P							
MODEL	SC32PX	X	X	X	HH08	AX15	
SC32P – Sample cooler, fixed installation version	SC32PX						
SC32PP – Sample cooler, portable version	SC32PP						
MATERIAL							
AISI 316L / 1.4404		X					
Body in AISI 316L / 1.4404 and coil in AISI 316L / 1.4435		G					
SURFACE FINISH (a)							
Standard surface finish				X			
Mirror mechanical polished external surfaces (SF1)				P			
Electropolished sample side wetted parts (SF4) (b)				Q			
SPECIAL FEATURES							
None					X		
SAMPLE SIDE PIPE CONNECTIONS							
8 mm O/D inlet and outlet						HH08	
1/2" clamp ferrule ASME BPE inlet and 8 mm O/D outlet						DH15	
1/2" clamp ferrule ASME BPE						DD15	
COOLING WATER SIDE PIPE CONNECTIONS							
1/2" female threaded ISO 228							AX15
1/2" female threaded NPT ASME B1.20.1							CX15
3/4" clamp ferrule ASME BPE							DX20
SPECIAL CONSTRUCTION / ADDITIONAL OPTIONS							
Full description or additional codes have to be added in case of non-standard combination							E

(a) Consult TIS.GIA – General information ADCAPure – for further details and other surface finish options.

(b) Only available with coil in AISI 316L / 1.4435.