

HUMIDITY SEPARATORS S10H (Baffle design)

DESCRIPTION

When wet steam is used in sterilization, moisture in suspension reduces the heat transfer efficiency, and the validity of the sterilization process can be compromised.

The ADCAPure S10H series baffle separators remove moisture from steam pipelines. Steam passes through the separator and as a result of expansion, impact and swirling effects, the particles with a heavier specific gravity are separated, such as water droplets and moisture in suspension.

The condensate collected at the bottom of the separator must be automatically drained by a suitable steam trap.

MAIN FEATURES

- 316L stainless steel construction.
- No moving parts.
- Self drainable design.
- Clamped construction to ease access for cleaning operations.

STANDARD SURFACE FINISH

- Internal wetted parts: $\leq 0,51 \mu\text{m Ra} - \text{SF1}$.
- External: Satin bead blast finish – $1,6 \mu\text{m Ra}$.
- Other surface conditions see TIS.GIA – General information ADCAPure.

- OPTIONS: Vent connection.
Special connections and dimensions.

- USE: Steam, compressed air and other gases.

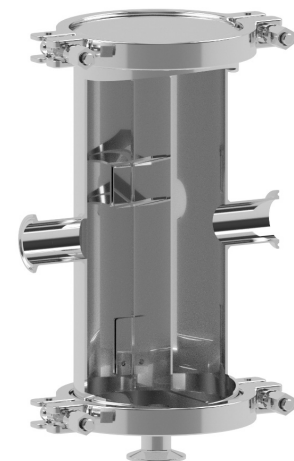
- AVAILABLE MODELS: S10H – horizontal connections, baffle design.

- SIZES: 1/2" to 3".

- CONNECTIONS: ASME BPE clamp ferrules.
Others on request.

- PACKAGING: Assembling and packaging in a clean room certified according to ISO 14644-1.
The product is end capped and sealed with recyclable thermo-shrinkable plastic film, to avoid contamination.

- INSTALLATION: Always with the condensate discharge pointing downwards.
See IMI – Installation and maintenance instructions.

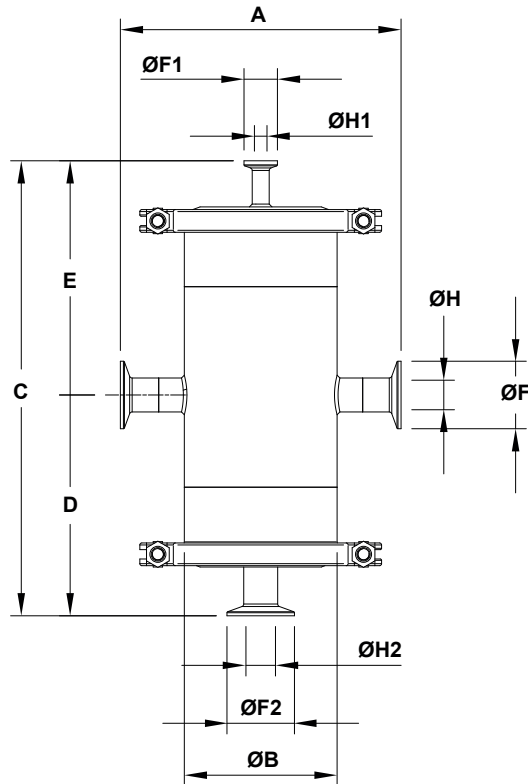


CE MARKING – GROUP 2 (PED – EUROPEAN DIRECTIVE)	
PN 10	CATEGORY
1/2" to 2"	SEP
2 1/2" to 3"	1 (CE Marked)

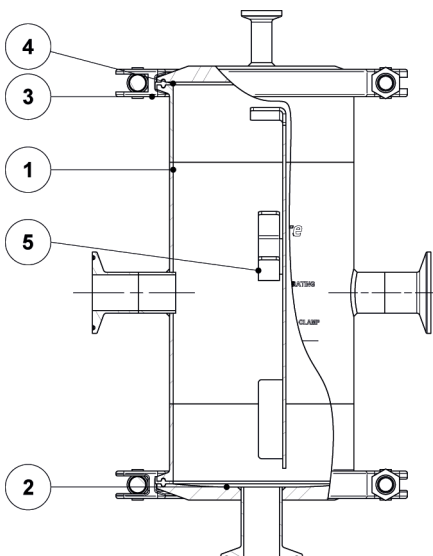
BODY LIMITING CONDITIONS *	
ALLOWABLE PRESSURE	RELATED TEMPERATURE
10 bar	50 °C
8 bar **	175 °C
7,4 bar	200 °C

* Other limits on request. Maximum operating conditions may be limited by the equipment end connections due to normative restrictions.

** PMO – Max. operating pressure for saturated steam.
Minimum operating temperature: -10 °C.
Design code: AD-Merkblatt.



DIMENSIONS (mm)													
SIZE	A	ØB	C	D	E	ØF	ØF1	ØF2	ØH	ØH1	ØH2	VOL. (dm ³)	WEIGHT (kg)
1/2"	210	114	338	163	175	25	25	50,5	9,4	9,4	22,1	2,4	5
3/4"	210	114	338	163	175	25	25	50,5	15,8	9,4	22,1	2,4	5
1"	210	114	338	163	175	50,4	25	50,5	22,1	9,4	22,1	2,4	5,1
1 1/2"	240	140	404	163	209	50,4	25	50,5	34,8	9,4	22,1	4,7	9,6
2"	240	140	404	195	209	63,9	25	50,5	47,5	9,4	22,1	4,7	9,6
2 1/2"	270	168	478	235	244	77,4	25	50,5	60,2	9,4	22,1	8,4	13,7
3"	270	168	478	235	244	90,9	25	50,5	72,9	9,4	22,1	8,6	13,8



MATERIALS		
POS. No.	DESIGNATION	MATERIAL
1	Body	AISI 316L / 1.4404
2	Cover	AISI 316L / 1.4404
3	Clamp	AISI 316 / 1.4401
4	* Gasket	** PTFE/FPM Envelope
5	Internals	AISI 316L / 1.4404

* Available spare parts. ** Others on request.

EN 10204 3.1 certificate available if requested along with the order.

Remarks: FDA / USP Class VI seals certificate on request.

All separators have a serial number. In case of non-standard separators, this number must be supplied if spare parts are ordered.



ORDERING CODES S10H									
MODEL	S10H	X	T	X	X	DX	0	015	
S10H – Sanitary humidity separator, horizontal connections, baffle design	S10H								
MATERIAL									
AISI 316L / 1.4404		X							
BODY SEALING									
PTFE / FPM			T						
SURFACE FINISH (a)									
Standard surface finish					X				
Mirror mechanical polished external surfaces (SF1)					P				
Electropolished internal wetted parts (SF5)					E				
Electropolished internal wetted parts (SF4)					Q				
SPECIAL FEATURES									
None						X			
PIPE CONNECTIONS									
Clamp ferrule ASME BPE							DX		
VENT CONNECTION									
Without vent connection								0	
With vent connection								1	
SIZE									
1/2"									015
3/4"									020
1"									025
1 1/2"									040
2"									050
2 1/2"									065
3"									080
SPECIAL CONSTRUCTION / ADDITIONAL OPTIONS									
Full description or additional codes have to be added in case of non-standard combination									E

(a) Consult TIS.GIA – General information ADCAPure – for further details and other surface finish options.