

Worm Gearboxes

The worm gearbox range of cast iron and stainless steel quarter turn worm gearboxes are ideally suited in HVAC, chemical, power, waterworks and general industrial applications.



SPECIFICATION

- Heavy duty construction
- Durable powder coat finish
- 304 stainless steel single piece input shaft and worm with axial needle bearings
- Sealed to IP67
- Steel position indicator
- ISO mountings as standard
- Torque output from 200Nm to 8000Nm available from stock, other sizes are available on request

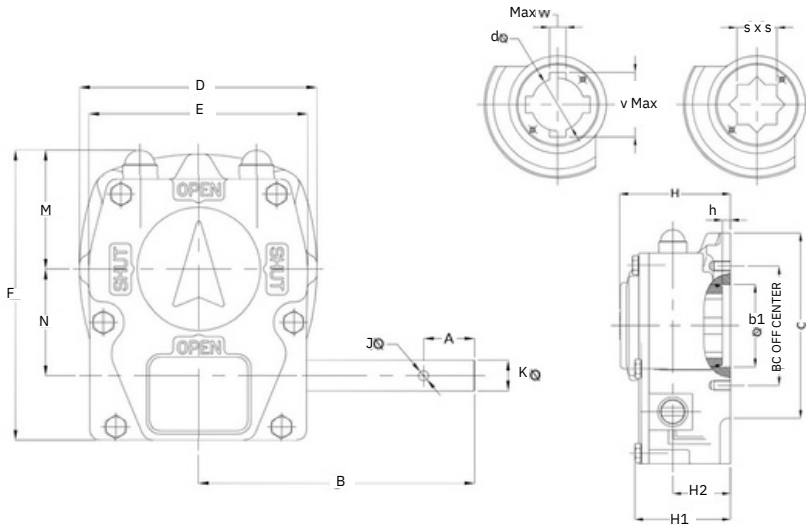


OPTIONS

- Cast iron and stainless steel options
- Padlockable flange
- Limit switches
- Open and close regulating device
- Chain wheels
- Full marinised spec sealed to IP68
- Bespoke mountings/drives available on request
- Powder coating finishes in any RAL colour
- Special offshore paint specifications and finishes available
- Exotic materials are available on request



Dimensions & Technical Details



*WG200SS

*WG500SS

Types		Ratio	Torque Nm		Hand Wheel Dia mm.	Weight Kg
			Output	Input		
* WG200	*WG200SS	40:01:00	250	22.7	125	2.7
* WG500	*WG500SS	42:01:00	500	45	250	4.5
* WG1000	*WG1000SS	42:01:00	1000	88	300	8.1
* WG2000	*WG2000SS	60:01:00	2200	135	450	14.5
* WG4000	WG4000SS	88:01:00	4400	169	500	44
* WG8000	WG8000SS	184:01:00	8000	180	500	66

*Gearbox models available from stock

Types		A	B	C	D	E	F	h	H	H1	J	K	M	N	d1	d	V	W	S	ISO5211
WG200	WG200SS	20	120	88	88	84	107	1	57	51	4	12	45	39	45	25	33.9	9.57	9/11/14	F05/F07
WG500	WG500SS	25	135	112	116	107	142	4.5	67	57	5	15	58	52	50	32	40.9	9.57	14/17/22	F07/F10
WG1000	WG1000SS	32	168	147	150	136	157	5.2	81	73	6	20	74	67	65	45	55.2	11.17	22/27	F10/F12
WG2000	WG2000SS	32	185	192	198	184	217	5.2	98	80	6	20	90	90	90	65	82.2	19.1	36	F14
WG4000	WG4000SS	33	280	290	315	315	352	2	101	106	8	30	146	150	121	65	95	22	46	F16/F25
WG8000	WG8000SS	N/A.	340	311	415	400	352	3	137	137	NA	25	157	121	121	65	100	22	65Ø	F16/F25

Additional models available upon request