

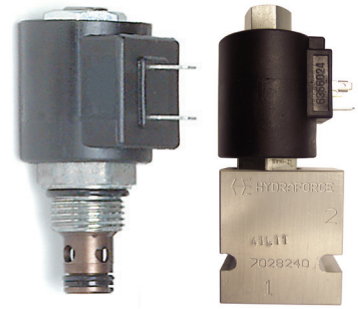
SV16-21

2 Way, Normally Open, 207 BAR Rated

A solenoid-operated, 2-way, normally open, poppet-type, screw-in hydraulic cartridge valve, designed to function as a load-holding or blocking valve in applications requiring low internal leakage.

Voltage	Hydraforce code	Article no.
CARTRIDGE VERSION		
24V DC	SV16-21-0-N-24DG	SV1621C24
110V AC	SV16-21-0-N-115AG	SV1621C115
220V AC	SV16-21-0-N-230AG	SV1621C230
INLINE WITH BODY 3/4" BSP		
24V DC	SV16-21-6B-N-24DG	SV16216B24
110V AC	SV16-21-6B-N-115AG	SV16216B110
220V AC	SV16-21-6B-N-230AG	SV16216B230
INLINE WITH BODY 1" BSP		
24V DC	SV16-21-8B-N-24DG	SV16218B24
110V AC	SV16-21-8B-N-115AG	SV16218B115
220V AC	SV16-21-8B-N-230AG	SV16218B230
with nitril seals		
WITH 'G' DIN CONNECTOR PLUG		

On request - Viton Seals - Screen filter protection - Manual Override
On request - For DC coils with spade or push on connections



Materials

Cartridge:

Weight: 0.31 kg. (0.69 lbs.)
Steel with hardened work surfaces.
Zinc-plated exposed surfaces.
Buna N O-rings and polyester elastomer back-up standard.

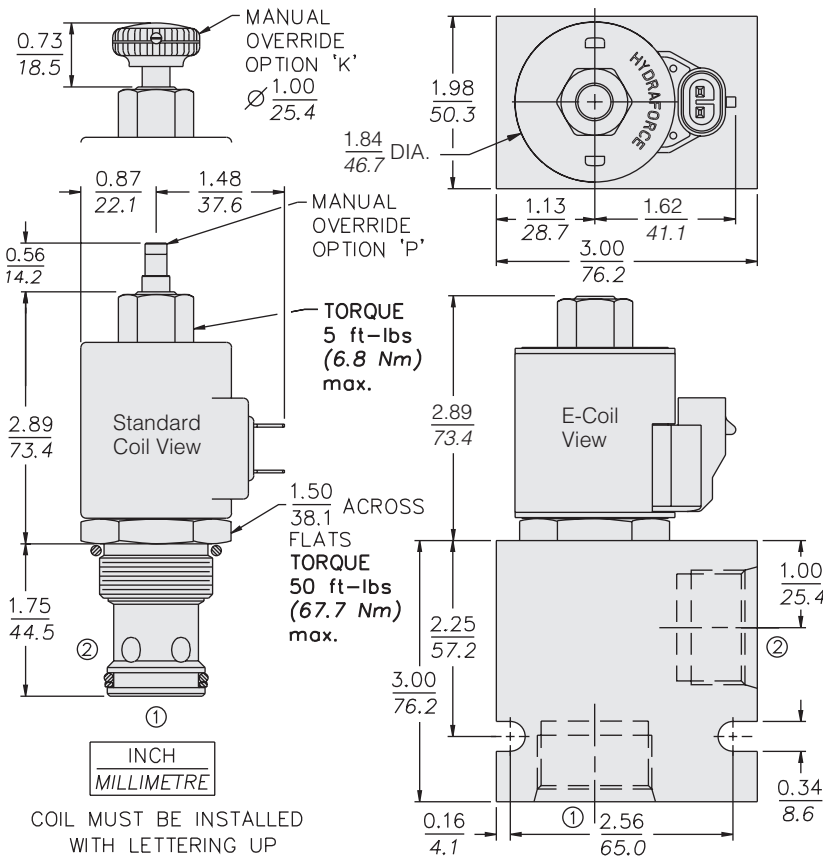
Standard Ported Body:

Weight: 0.57 kg. (1.25 lbs.)
Anodized high-strength 6061 T6 aluminum alloy, rated to 207 bar (3000 psi).
Ductile iron bodies available; dimensions may differ.

Standard Coil:

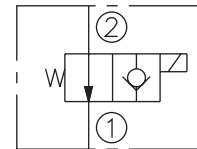
Weight: 0.27 kg. (0.60 lbs.)
Unitized thermoplastic encapsulated.

Dimensions

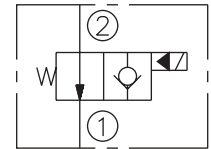


Symbols

USASI:



ISO:



Performance (Cartridge Only)

