

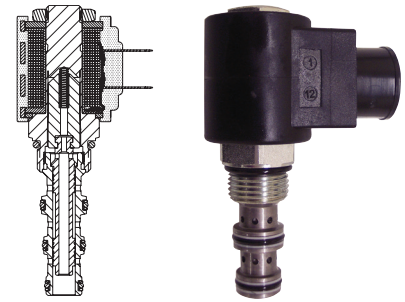
SV08-41

4 Way, 2 Position, Spool, 207 BAR Rated

A solenoid-operated, four-way, two-position, direct-acting, spool-type, screw-in hydraulic cartridge valve.

Voltage	Hydraforce code	Article no.
CARTRIDGE VERSION		
24V DC	SV08-41-0-N-24DG	SV0841C24
110V AC	SV08-41-0-N-115AG	SV0841C115
220V AC	SV08-41-0-N-230AG	SV0841C230
INLINE WITH BODY 1/4" BSP		
24V DC	SV08-41-2B-N-24DG	SV08412B24
110V AC	SV08-41-2B-N-115AG	SV08412B110
220V AC	SV08-41-2B-N-230AG	SV08412B230
INLINE WITH BODY 3/8" BSP		
24V DC	SV08-41-3B-N-24DG	SV08413B24
110V AC	SV08-41-3B-N-115AG	SV08413B110
220V AC	SV08-41-3B-N-230AG	SV08413B230
with nitril seals		
WITH 'G' DIN CONNECTOR PLUG		

On request - Viton Seals - Screen filter protection - Manual Override
 On request - For DC coils with spade or push on connections



Materials

Cartridge:

Weight: 0.13 kg. (0.28 lbs.)
 Steel with hardened work surfaces.
 Zinc-plated exposed surfaces.
 Buna N O-rings and back-ups standard.

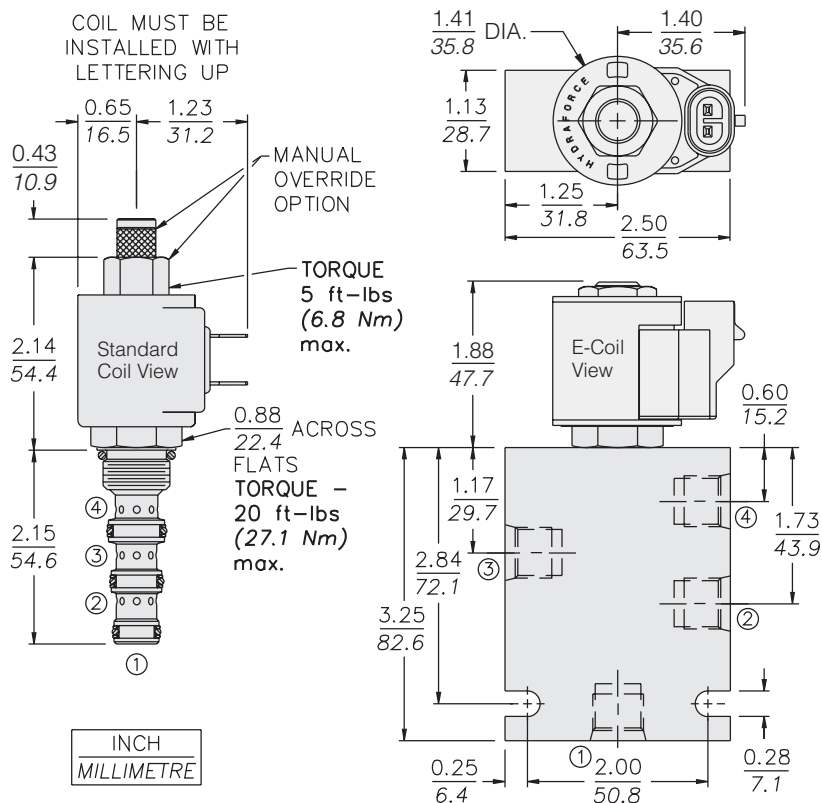
Standard Ported Body:

Weight: 0.27 kg. (0.60 lbs.)
 Anodized high-strength 6061 T6 aluminum alloy, rated to 207 bar (3000 psi).
 Ductile iron bodies available;
 dimensions may differ.

Standard Coil:

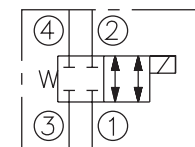
Weight: 0.11 kg. (0.25 lbs.)
 Unitized thermoplastic encapsulated.

Dimensions



Symbols

USASI/ISO:



Performance (Cartridge Only)

