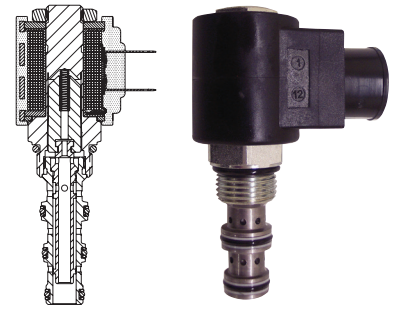


# SV08-40

4 Way, 2 Position, Spool, 207 BAR Rated

A solenoid-operated, 4-way, 2-position, direct-acting spool-type, screw-in hydraulic cartridge valve.



Voltage	Hydraforce code	Article no.
<b>CARTRIDGE VERSION</b>		
24V DC	SV08-40-0-N-24DG	SV0840C24
110V AC	SV08-40-0-N-115AG	SV0840C115
220V AC	SV08-40-0-N-230AG	SV0840C230
<b>INLINE WITH BODY 1/4" BSP</b>		
24V DC	SV08-40-2B-N-24DG	SV08402B24
110V AC	SV08-40-2B-N-115AG	SV08402B110
220V AC	SV08-40-2B-N-230AG	SV08402B230
<b>INLINE WITH BODY 3/8" BSP</b>		
24V DC	SV08-40-3B-N-24DG	SV08403B24
110V AC	SV08-40-3B-N-115AG	SV08403B110
220V AC	SV08-40-3B-N-230AG	SV08403B230
<b>with nitril seals</b>		
<b>WITH 'G' DIN CONNECTOR PLUG</b>		

On request - Viton Seals - Screen filter protection - Manual Override  
 On request - For DC coils with spade or push on connections

## Materials

### Cartridge:

Weight: 0.13 kg. (0.28 lbs.)  
 Steel with hardened work surfaces.  
 Zinc-plated exposed surfaces.  
 Buna N O-rings and back-ups standard.

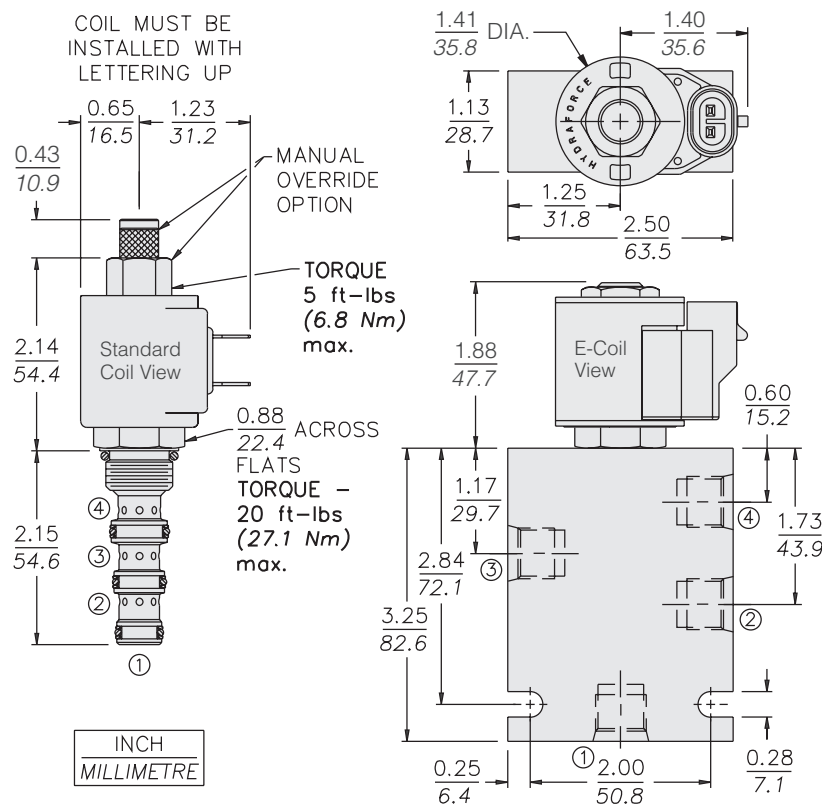
### Standard Ported Body:

Weight: 0.27 kg. (0.60 lbs.).  
 Anodized high-strength 6061 T6 aluminum alloy, rated to 207 bar (3000 psi).  
 Ductile iron bodies available; dimensions may differ.

### Standard Coil:

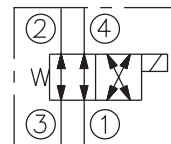
Weight: 0.11 kg. (0.25 lbs.)  
 Unitized thermoplastic encapsulated.

## Dimensions

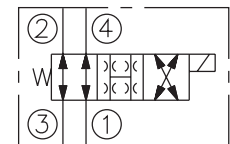


## Symbols

### USASI/ISO:



### TRANSITION:



## Performance (Cartridge Only)

