

RV50-26 HIGH PRESSURE

Relief, Pilot-Operated Spool
345 bar (5000 psi) Rated

A screw-in, cartridge-style, pilot-operated (two-stage), spool-type hydraulic relief valve, intended for use as a pressure limiting device in demanding hydraulic circuits which require fast response and low hysteresis.

Porting	Hydraforce code	Article no.	Spring Options
INLINE 1/2" BSP	RV50-26A-4BD-P-50	RV5026A4BD50	83 to 345 BAR

with Polyurethane seals

- Standard** - with 1/4" HEX ALLEN HEAD 'A'
- On request** - 1 1/2" dia alum knob 'B'
 Option 'A' with cover cap 'C'
 Factory Set - Non Adjustable 'F'
 Factory Set - Hidden Adjustment 'H'
 Lockwire Holes 'L'

Materials

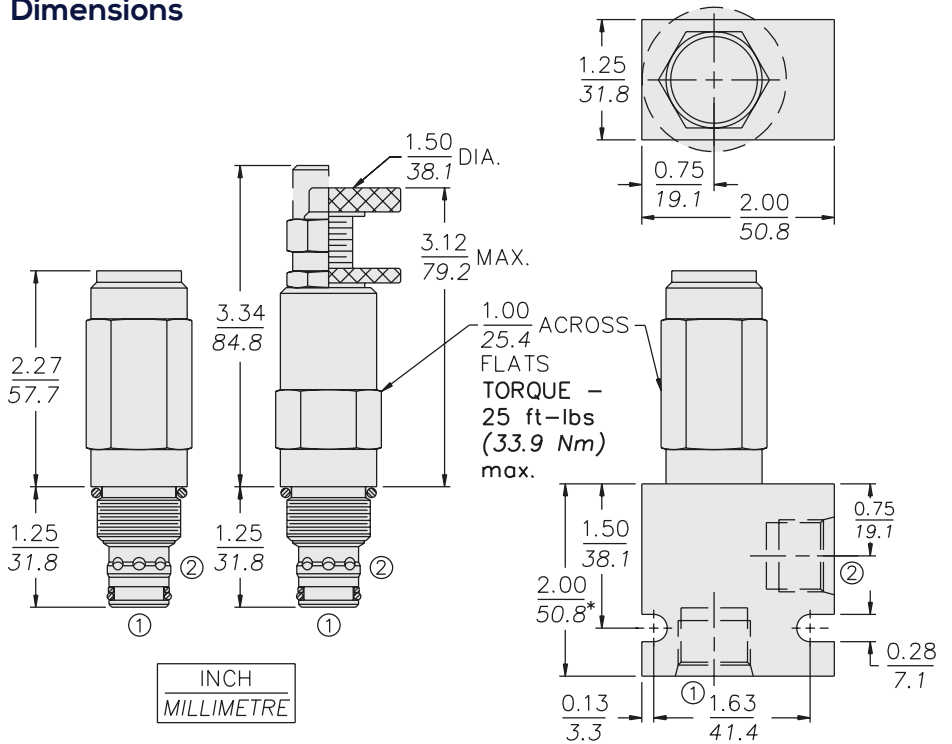
Cartridge:

Weight: 0.25 kg. (0.55 lbs.)
 Steel with hardened work surfaces.
 Zinc-plated exposed surfaces.
 Poly-urethane seals with
 Fluorocarbon back-ups for
 pressures over 240 bar (3500 psi).
 Anodized aluminum knobs.

Ported Body:

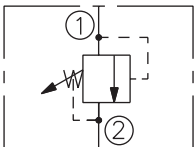
Weight: 0.54 kg. (1.2 lbs.)
 Ductile Iron (code "D") standard,

Dimensions



Symbols

USASI/ISO:



Performance

