

RV16-26

Relief, Pilot-Operated Spool, 207 BAR Rated

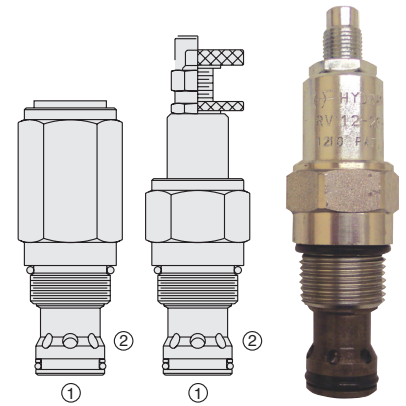
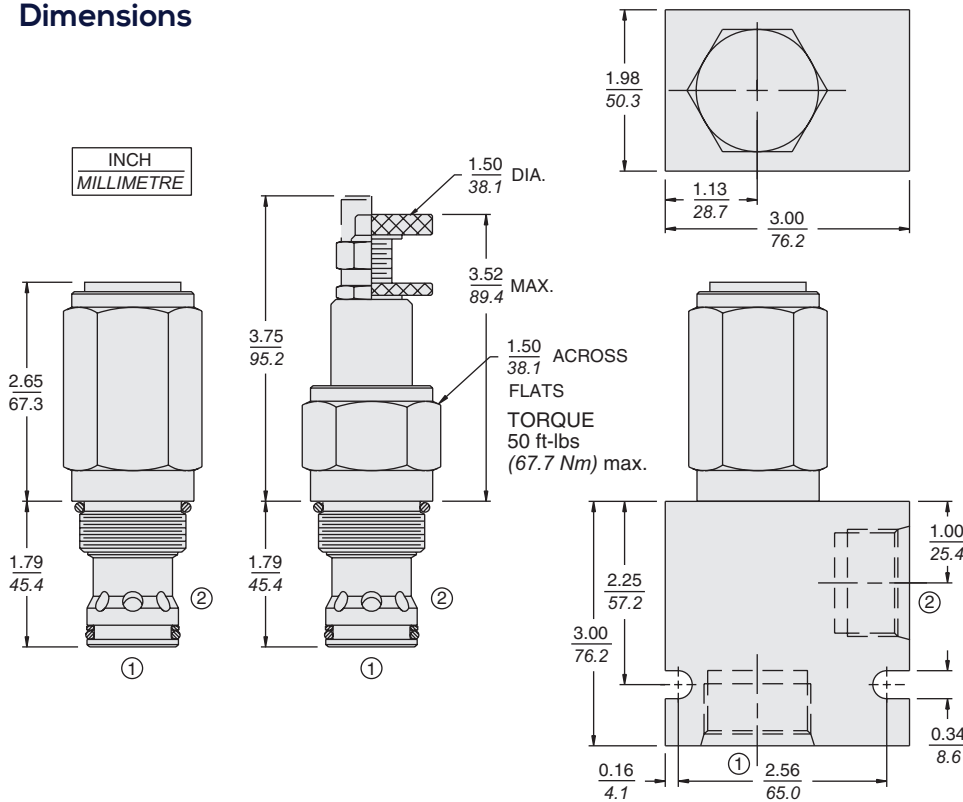
A screw-in, cartridge-style, pilot-operated (two-stage), spool-type hydraulic relief valve, intended for use as a pressure limiting device in demanding hydraulic circuits which require fast response and low hysteresis.

Porting	Hydraforce code	Article no.	Spring Options
Cartridge Version	RV16-26A-0-N*	RV1626AC*	* suffix with 3 = 9.7 TO 20.7 BAR 6 = 15.9 TO 41.4 BAR
INLINE 1" BSP	RV16-26A-8B-N*	RV1626A8B*	15 = 36.6 TO 103 BAR 35 = 82.8 TO 241 BAR

with nitril seals / Viton on request

- Standard** - with 1/4" HEX ALLEN HEAD 'A'
- On request** - 1 1/2" dia alum knob
Option 'A' with cover cap 'C'
Factory Set - Non Adjustable 'F'
Factory Set - Hidden Adjustment 'H'
Lockwire Holes 'L'

Dimensions



Materials

Cartridge:

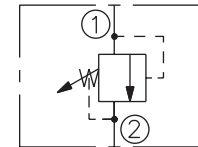
Weight: 0.73 kg. (1.60 lbs.)
Steel with hardened work surfaces.
Zinc-plated exposed surfaces.
Buna N O-rings and polyester elastomer back-up standard.
Anodized aluminum knobs.

Standard Ported Body:

Weight: 0.57 kg. (1.25 lbs.)
Anodized highstrength 6061 T6 aluminum alloy, rated to 207 bar (3000 psi).
Ductile iron bodies available; dimensions may differ.

Symbols

USASI/ISO:



Performance

