

# RV10-26

## Relief, Pilot-Operated Spool, 207 BAR Rated

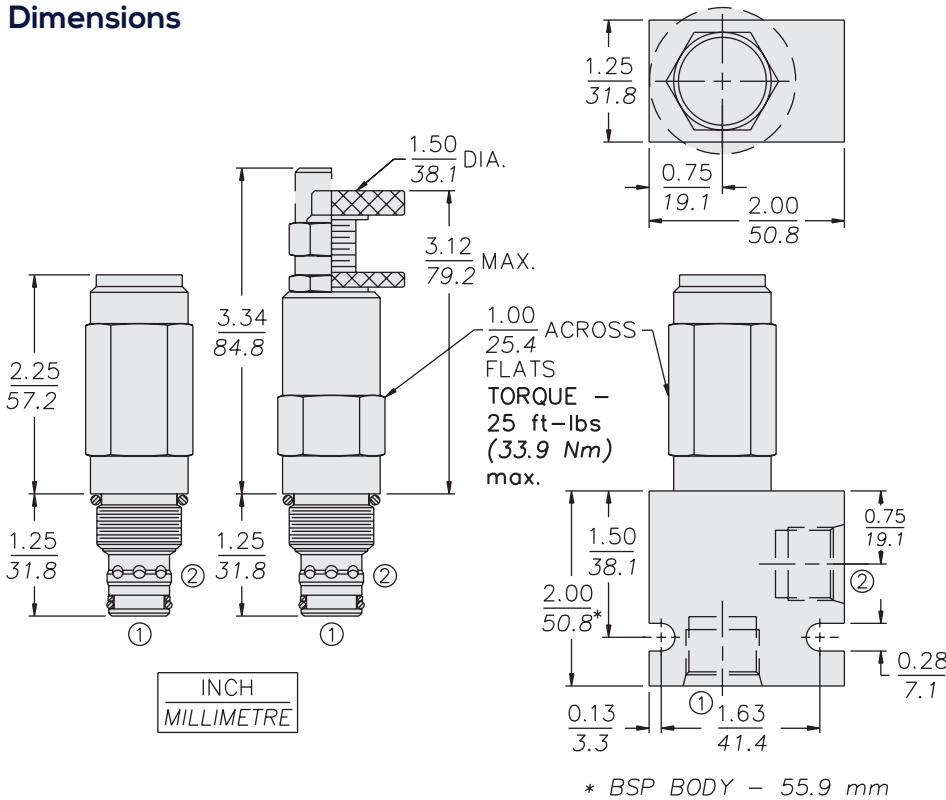
A screw-in, cartridge-style, pilot-operated (two-stage), spool-type hydraulic relief valve, intended for use as a pressure limiting device in demanding hydraulic circuits which require fast response and low hysteresis.

Porting	Hydraforce code	Article no.	Spring Options
Cartridge Version	RV10-26A-0-N*	RV1026AC*	
INLINE 3/8" BSP	RV10-26A-3B-N*	RV1026A3B*	* suffix with 4 = 6.9 TO 27.6 BAR 15 = 10.3 TO 103 BAR 30 = 27.6 TO 206 BAR
INLINE 1/2" BSP	RV10-26A-4B-N*	RV1026A4B*	

with nitril seals / Viton on request

- Standard** - with 1/4" HEX ALLEN HEAD 'A'
- On request** - 1 1/2" dia alum knob  
Option 'A' with cover cap 'C'  
Factory Set - Non Adjustable 'F'  
Factory Set - Hidden Adjustment 'H'  
Lockwire Holes 'L'

### Dimensions



### Materials

#### Cartridge:

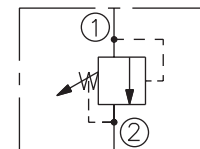
Weight: 0.25 kg. (0.55 lbs.)  
Steel with hardened work surfaces. Zinc-plated exposed surfaces. Buna N O-rings and polyester elastomer back-ups standard. Anodized aluminum knobs. Optional polyurethane seals with Fluorocarbon back-up recommended for pressures over 240 bar (3500 psi).

#### Standard Ported Body:

Weight: 0.16 kg. (0.35 lbs.)  
Anodized highstrength 6061 T6 aluminum alloy, rated to 207 bar (3000 psi). Ductile iron bodies available; dimensions may differ.

### Symbols

#### USASI/ISO:



### Performance

