

# FR10-33

## Flow Regulator, Pressure Compensated 207 BAR Rated

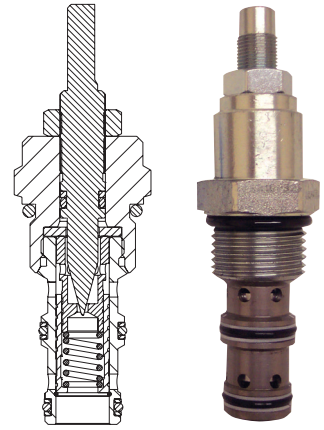
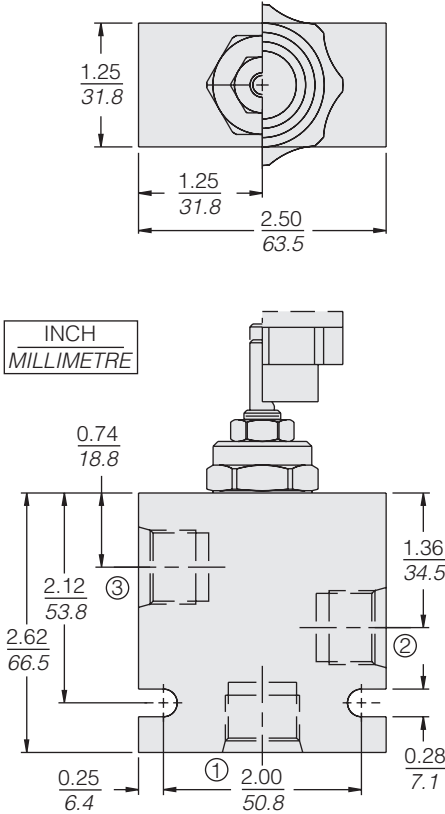
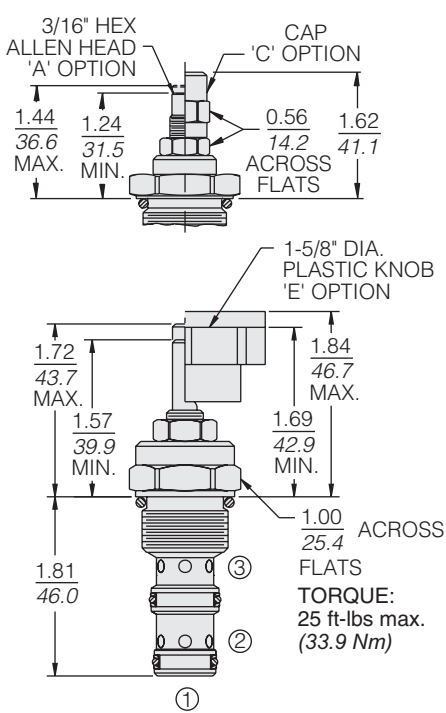
A screw-in, cartridge-style, adjustable orifice, pressure-compensated, manually operated, bypass-type hydraulic flow regulating valve. It can be used as a priority-type flow regulator or a restrictive-type 2-way flow regulator when the bypass port (port ②) is blocked.

Porting	Hydraforce code	Article no.
Cartridge Version	FR10-33A-0-N	FR1033AC
INLINE 1/4" BSP	FR10-33A-2B-N	FR1033A2B
INLINE 3/8" BSP	FR10-33A-3B-N	FR1033A3B

with nitril seals / Viton on request

- Standard** - with 3/16" HEX ALLEN HEAD (A)  
**On request** - Option (A) with cover cap (C)  
 Top plastic knob

### Dimensions



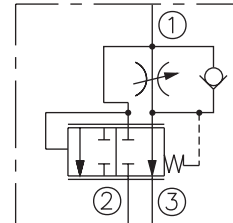
### Materials

**Cartridge:**  
 Weight: 0.30 kg. (0.68 lbs.)  
 Steel with hardened work surfaces.  
 Zinc-plated exposed surfaces.  
 Buna N O-rings and polyester elastomer back-ups standard.

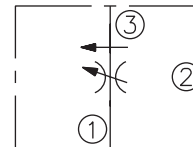
**Standard Ported Body:**  
 Weight: 0.36 kg. (0.80 lbs.)  
 Anodized highstrength 6061 T6 aluminum alloy, rated to 207 bar (3000 psi).  
 Ductile iron bodies available; dimensions may differ.

### Symbols

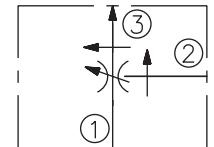
#### USASI/ISO:



#### 2-Ported:



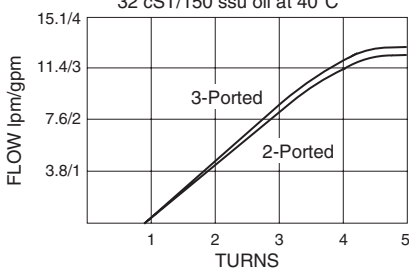
#### 3-Ported:



### Performance

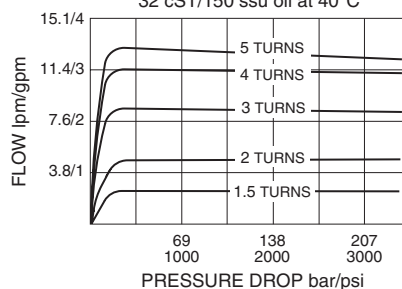
#### Regulated Flow vs. Turns 103 bar/1500 psi at Port ③

2-Ported: at 123 bar/1800 psi inlet pressure  
 3-Ported: at 19 lpm/5 gpm inlet flow  
 32 cST/150 ssu oil at 40°C



#### 2-Ported Regulated Flow vs. Pressure Drop

at 240 bar/3500 psi Inlet  
 32 cST/150 ssu oil at 40°C



#### 3-Ported Regulated Flow vs. Load

at 18.9 lpm/5 gpm Inlet  
 32 cST/150 ssu oil at 40°C

