

SP10-47C

4 Way, 3 Position, Closed Center, 207 BAR Rated

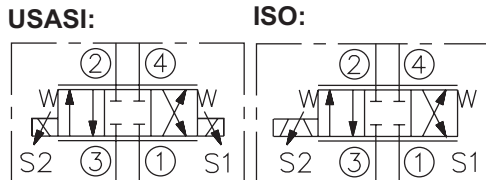
A proportional solenoid-operated, four-way, three-position, spool-type, closed center, screw-in hydraulic cartridge valve.



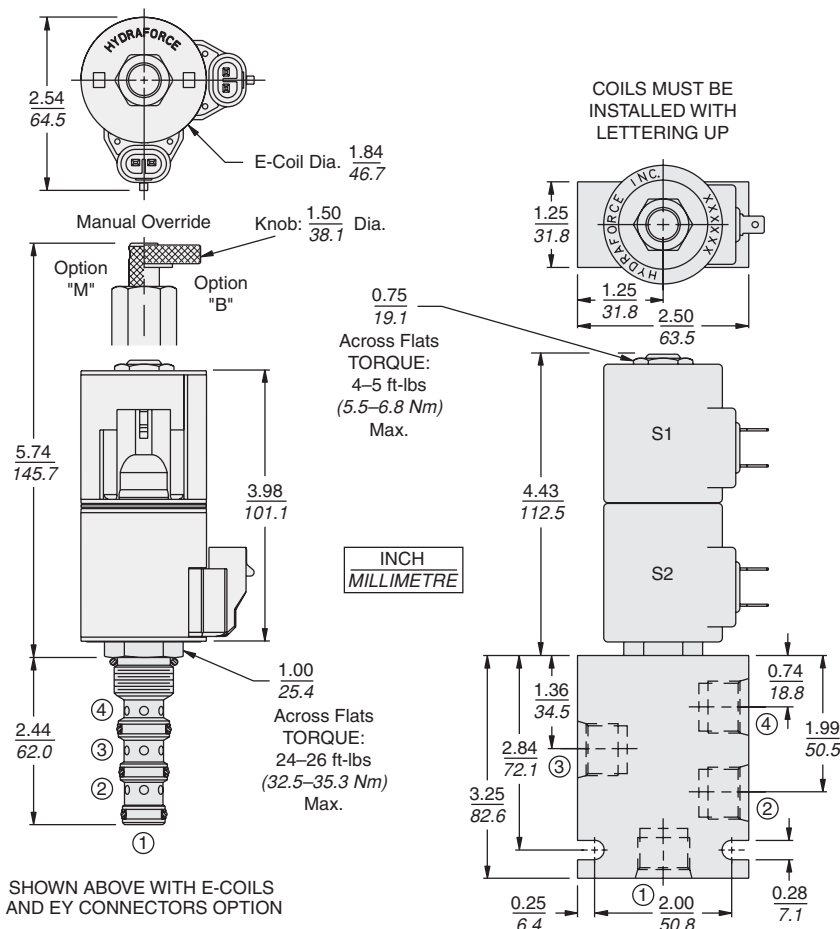
Voltage	Hydraforce code	Article no.
CARTRIDGE VERSION		
24V DC	SP10-47C-0-N-24DG	SP1047CC24
INLINE WITH BODY 1/4" BSP		
24V DC	SP10-47C-2B-N-24DG	SP1047C2B24
INLINE WITH BODY 3/8" BSP		
24V DC	SP10-47C-3B-N-24DG	SP1047C3B24
with nitril seals		
WITH 'G' DIN CONNECTOR PLUG		

On request - Viton Seals - Screen filter protection - Manual Override
 On request - For DC coils with spade or push on connections

Symbols



Dimensions



SHOWN ABOVE WITH E-COILS AND EY CONNECTORS OPTION

Materials

Cartridge:

Weight: 0.30 kg. (0.65 lbs.)
 Steel with hardened work surfaces.
 Zinc-plated exposed surfaces.
 Buna N O-rings and back-ups std.

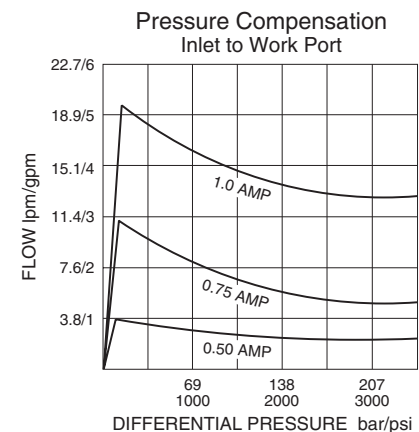
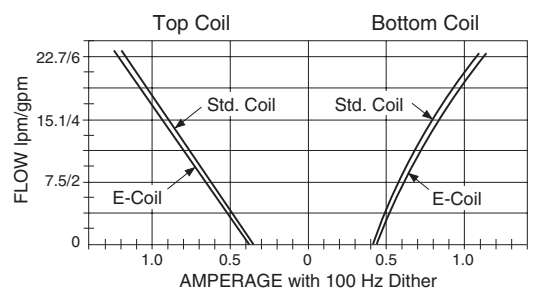
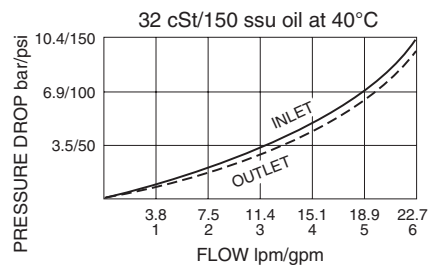
Standard Ported Body:

Weight: 0.36 kg. (0.80 lbs.)
 Anodized highstrength 6061 T6 aluminum alloy, rated to 207 bar (3000 psi).
 Ductile iron bodies available; dimensions may differ.

Standard Coil:

Weight each: 0.27 kg. (0.60 lbs.)
 Unitized thermoplastic encapsulated.

Performance



Please contact our technical sales team for electronic controller options