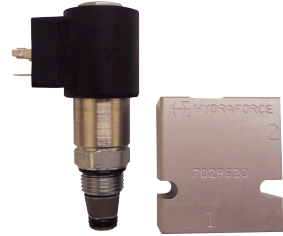


SP10-20

2 Way, Normally Open, 207 BAR Rated

A proportional solenoid-operated, two-way, poppet-type, normally closed, screw-in hydraulic cartridge valve for low-leakage blocking and load-holding applications.

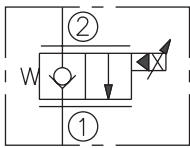


Voltage	Hydraforce code	Article no.
CARTRIDGE VERSION		
24V DC	SP10-20-0-N-24DG	SP1020C24
INLINE WITH BODY 1/4" BSP		
24V DC	SP10-20-2B-N-24DG	SP1020B24
INLINE WITH BODY 3/8" BSP		
24V DC	SP10-20-3B-N-24DG	SP1020B24
INLINE WITH BODY 1/2" BSP		
24V DC	SP10-20-4B-N-24DG	SP1020B24
with nitril seals		
WITH 'G' DIN CONNECTOR PLUG		

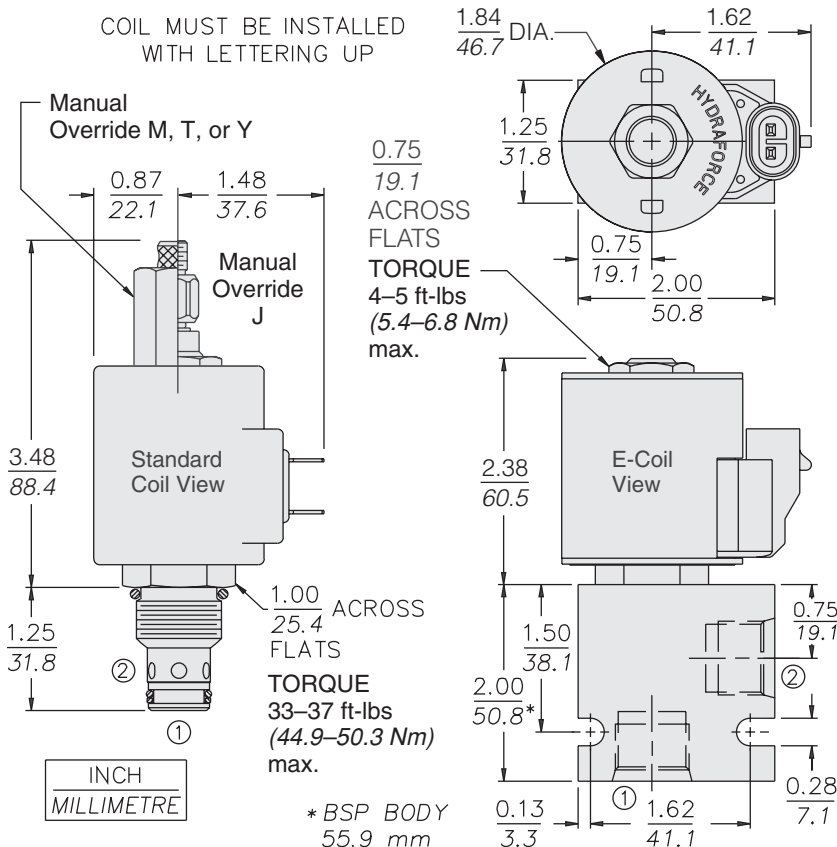
On request - Viton Seals - Screen filter protection - Manual Override
 On request - For DC coils with spade or push on connections

Symbols

USASI/ISO:



Dimensions



Please contact our technical sales team for electronic controller options

Materials

Cartridge:

Weight: 0.16 kg. (0.34 lbs.)
 Steel with hardened work surfaces. Zinc-plated exposed surfaces.
 Buna N O-rings and back-ups standard.

Standard Ported Body:

Weight: 0.16 kg. (0.35 lbs.)
 Anodized high-strength 6061 T6 aluminum alloy, rated to 207 bar (3000 psi).
 Ductile iron bodies available; dimensions may differ.

Standard Coil:

Weight: 0.27 kg. (0.60 lbs.)
 Unitized thermoplastic encapsulated.

Performance

