

PD10-44

Piloted 2-Way Spool
207 BAR Rated

A screw-in, cartridge-style, pilot-operated, spool-type, hydraulic directional valve for three-way circuits requiring remote pilot actuation.

Porting	Hydraforce code	Article no.	Bias Spring Options
Cartridge Version	PD10-44-0-NS*	PD10440C*	
			* suffix with
INLINE 1/4" BSP	PD10-44-2B-NS*	PD10442B*	110 = 7.6 BAR (110 PSI) 170 = 11.7 BAR (170 PSI)
INLINE 3/8" BSP	PD10-44-3B-NS*	PD10443B*	

with nitril seals / Viton on request

Materials

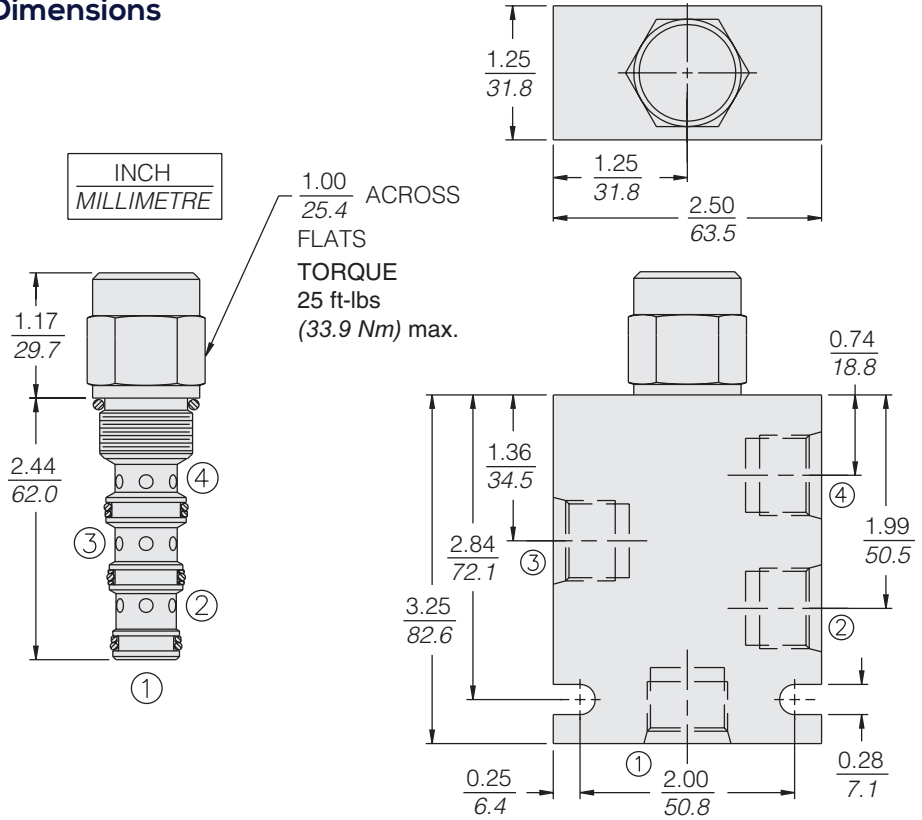
Cartridge:

Weight: 0.16 kg. (0.35 lbs.)
Steel with hardened work surfaces.
Zinc-plated exposed surfaces.
Buna N O-rings and polyester elastomer back-ups standard.

Standard Ported Body:

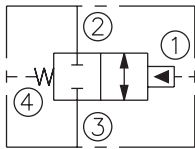
Weight: 0.34 kg. (0.75 lbs.)
Anodized highstrength 6061 T6 aluminum alloy, rated to 207 bar (3000 psi).
Ductile iron bodies available; dimensions may differ.

Dimensions

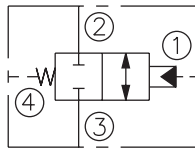


Symbols

USASI



ISO:



Performance

