

# MP08-20

Manual, Spring Return, Pull-to-Open  
207 BAR Rated

A manual, 2-way, pull-to-open, screw-in hydraulic directional valve.

Porting	Hydraforce code	Article no.
Cartridge Version	MP08-20T-0-N25	MP0820T0C25
INLINE 1/4" BSP	MP08-20T-2B-N25	MP0820T2B25
INLINE 3/8" BSP	MP08-20T-3B-N25	MP0820T3B25

with nitril seals / Viton on request  
STANDARD WITH THREADED SHAFT 'T'  
Options for black 'K' Or red 'J' plastic knobs

## Materials

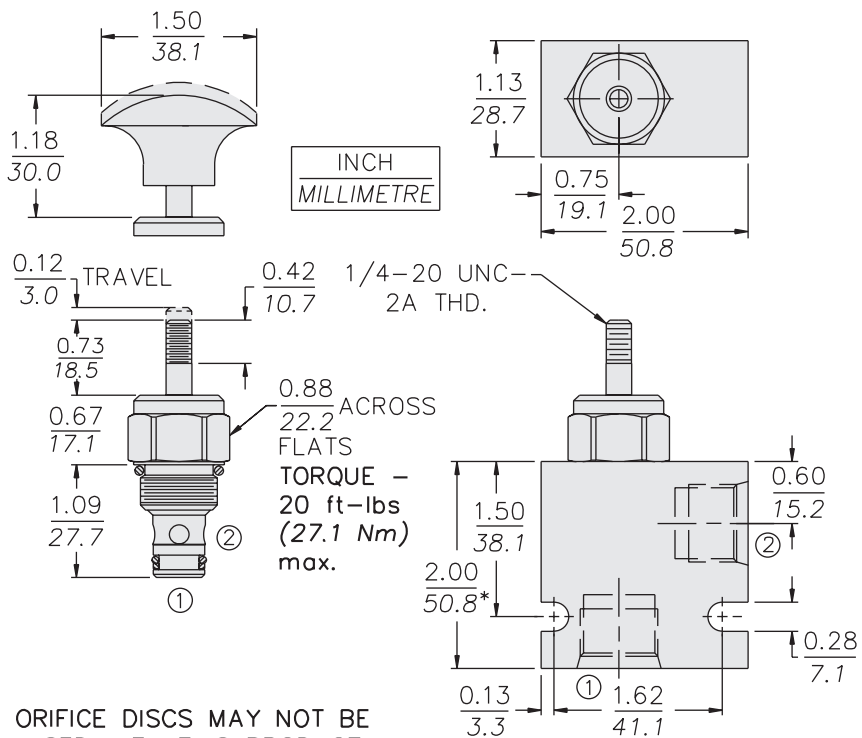
### Cartridge:

Weight: 0.10 kg. (0.22 lbs.)  
Steel with hardened work surfaces.  
Zinc-plated exposed surfaces.  
Buna N O-rings and back-ups standard. Plastic knob optional.

### Standard Ported Body:

Weight: 0.16 kg. (0.35 lbs.)  
Anodized highstrength 6061 T6 aluminum alloy, rated to 207 bar (3000 psi).  
Ductile iron bodies available; dimensions may differ.

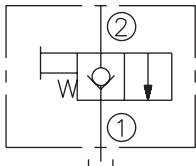
## Dimensions



ORIFICE DISCS MAY NOT BE USED WITH THIS PRODUCT.

## Symbols

### USASI/ISO:



## Performance

