

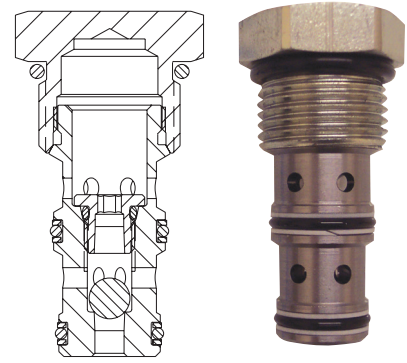
LS10-30

Load Shuttle, Ball Type
207 BAR Rated

A load-shuttling, screw-in, cartridge-style hydraulic check valve, for use in blocking circuits where a priority of flow/direction is given to a higher pressure circuit over a lower one.

Porting	Hydraforce code	Article no.
Cartridge Version	LS10-30-0-N25	LS10300C25
INLINE 1/4" BSP	LS10-30-2B-N25	LS10302B25
INLINE 3/8" BSP	LS10-30-3B-N25	LS10303B25

with nitril seals / Viton on request



Materials

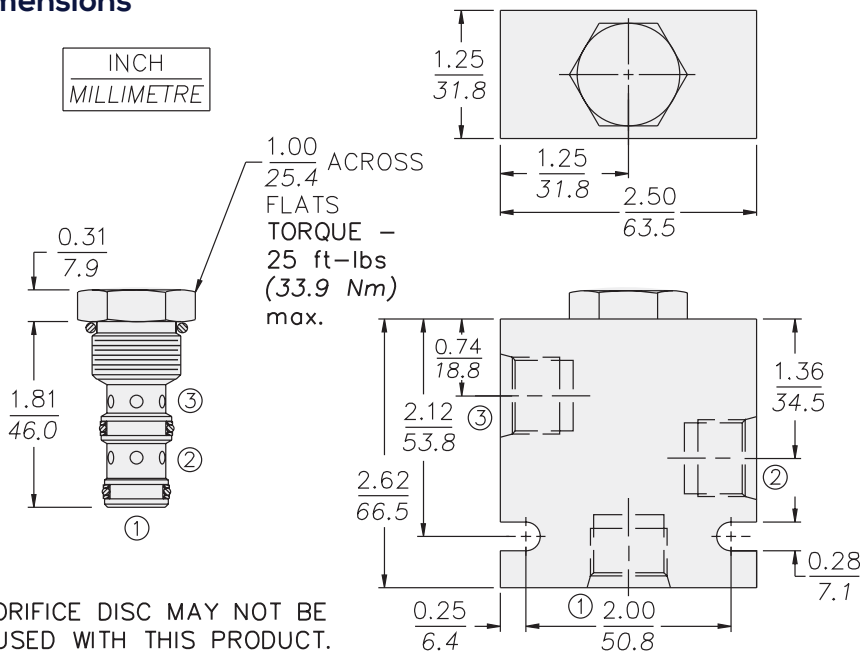
Cartridge:

Weight: 0.08 kg. (0.18 lbs.)
Steel with Zinc-plated exposed surfaces.
Buna N O-rings and polyester elastomer back-ups standard.

Standard Ported Body:

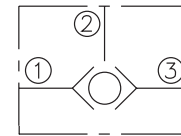
Weight: 0.36 kg. (0.80 lbs.)
Anodized highstrength 6061 T6 aluminum alloy, rated to 207 bar (3000 psi).
Ductile iron bodies available; dimensions may differ.

Dimensions



Symbols

USASI/ISO:



Performance

