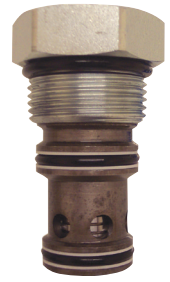


# EV16-S34

## Vented Spool-Type Logic Element 207 BAR Rated

A spool-type, screw-in, cartridge-style, hydraulic directional element, with multifunction potential when used with other directional, pressure, or flow control devices.



Porting	Hydraforce code	Article no.	Spring Options
			* suffix with
			<b>10</b> = 0.7 BAR (10 PSI)
			<b>20</b> = 1.4 BAR (20 PSI)
			<b>40</b> = 2.8 BAR (40 PSI)
			<b>70</b> = 4.8 BAR (70 PSI)
			<b>90</b> = 6.2 BAR (90 PSI)
			<b>110</b> = 7.6 BAR (110 PSI)
			<b>160</b> = 11 BAR (160 PSI)
Cartridge Version	EV16-S34-0-N-*	EV16S340C*	

**with nitril seals / Viton on request**

### Materials

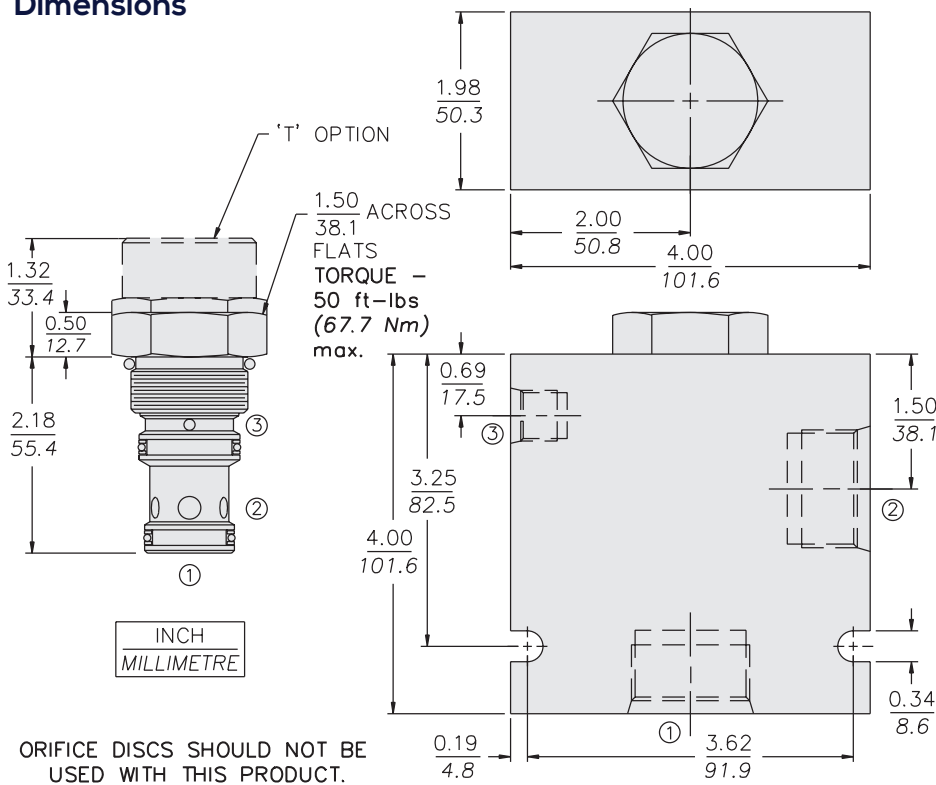
#### Cartridge:

Weight: 0.27 kg. (0.60 lbs.)  
Steel with hardened work surfaces.  
Zinc-plated exposed surfaces.  
Buna N O-rings and polyester elastomer back-ups standard.

#### Standard Ported Body:

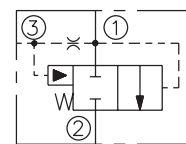
Weight: 1.50 kg. (3.3 lbs.)  
Anodized highstrength 6061 T6 aluminum alloy, rated to 207 bar (3000 psi).  
Ductile iron bodies available; dimensions may differ.

### Dimensions

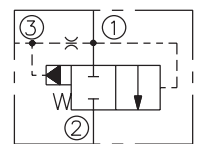


### Symbols

#### USASI:



#### ISO:



### Performance

