



EV12-S34

Vented Spool-Type Logic Element 207 BAR Rated

A spool-type, screw-in, cartridge-style, hydraulic directional element, with multifunction potential when used with other directional, pressure, or flow control devices.

Materials

Cartridge:

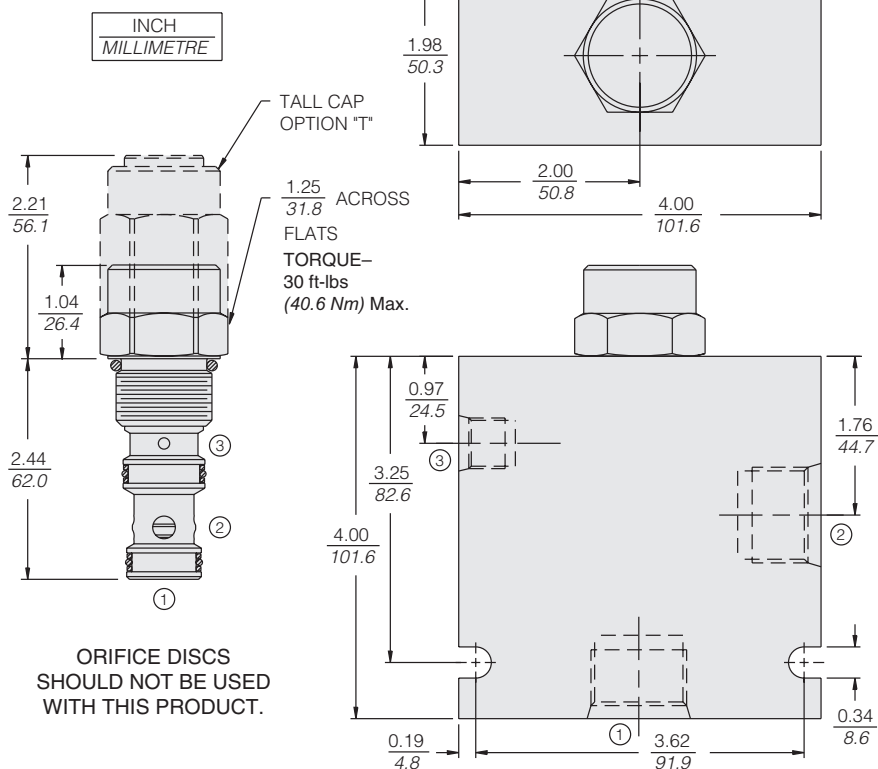
Weight: 0.23 kg. (0.5 lbs.)
Steel with hardened work surfaces.
Zinc-plated exposed surfaces.
Buna N O-rings and polyester elastomer back-ups standard.

Standard Ported Body:

Weight: 1.13 kg. (2.5 lbs.)
Anodized highstrength 6061 T6 aluminum alloy, rated to 207 bar (3000 psi).
Ductile iron bodies available; dimensions may differ.

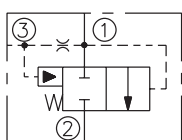
Porting	Hydraforce code	Article no.	Spring Options
Cartridge Version	EV12-S34-0-N-*	EV12S340C*	* suffix with
			10 = 0.7 BAR (10 PSI)
			80 = 5.52 BAR (80 PSI)
			100 = 7 BAR (100 PSI)
			160 = 11 BAR (160 PSI)
			240 = 16.5 BAR (240 PSI)
with nitril seals / Viton on request			

Dimensions

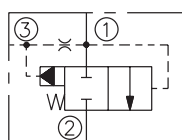


Symbols

USASI:



ISO:



Performance

