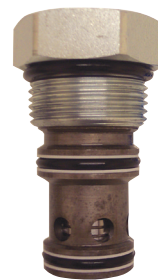


EV10-S34

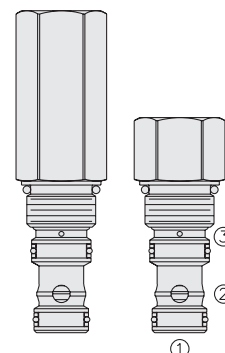
Vented Spool-Type Logic Element 207 BAR Rated

A spool-type, screw-in, cartridge-style, hydraulic directional element, with multifunction potential when used with other directional, pressure, or flow control devices.

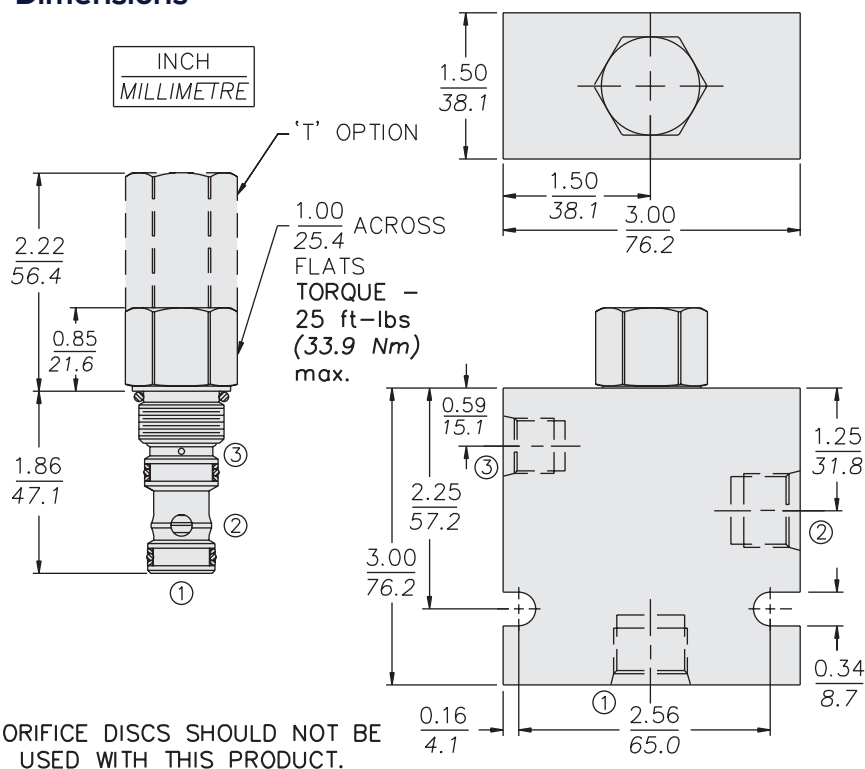


Porting	Hydraforce code	Article no.	Spring Options
Cartridge Version	EV10-S34-0-N-*	EV10S340C*	* suffix with
			10 = 0.7 BAR (10 PSI)
			40 = 2.8 BAR (40 PSI)
			80 = 5.52 BAR (80 PSI)
			110 = 7.6 BAR (110 PSI)
			160 = 11 BAR (160 PSI)
			230 = 15.9 BAR (230 PSI)

with nitril seals / Viton on request



Dimensions



Materials

Cartridge:

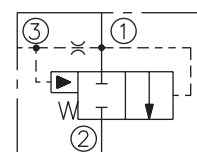
Weight: 0.15 kg. (0.32 lbs.)
Steel with hardened work surfaces.
Zinc-plated exposed surfaces.
Buna N O-rings and polyester elastomer back-ups standard.

Standard Ported Body:

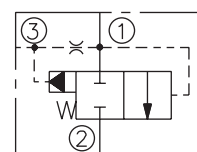
Weight: 0.32 kg. (0.70 lbs.)
Anodized highstrength 6061 T6 aluminum alloy, rated to 207 bar (3000 psi).
Ductile iron bodies available; dimensions may differ.

Symbols

USASI:



ISO:



Performance

① to ② or ② to ① (fully open)
32 cSt/150 ssu oil at 40°C

