

# EP16-S35

**Piloted Spool-Type Logic Element**  
**207 BAR Rated**

A spool-type, screw-in, cartridge-style, hydraulic directional element, with multifunction potential when used with other directional, pressure, or flow control devices.

Porting	Hydraforce code	Article no.	Spring Options
			* suffix with
			<b>10</b> = 0.7 BAR (10 PSI)
			<b>20</b> = 1.4 BAR (20 PSI)
			<b>40</b> = 2.8 BAR (40 PSI)
			<b>70</b> = 4.8 BAR (70 PSI)
			<b>90</b> = 6.2 BAR (90 PSI)
			<b>110</b> = 7.6 BAR (110 PSI)
			<b>160</b> = 11 BAR (160 PSI)
			<b>240</b> = 16.5 BAR (240 PSI)
<b>with nitril seals / Viton on request</b>			

## Materials

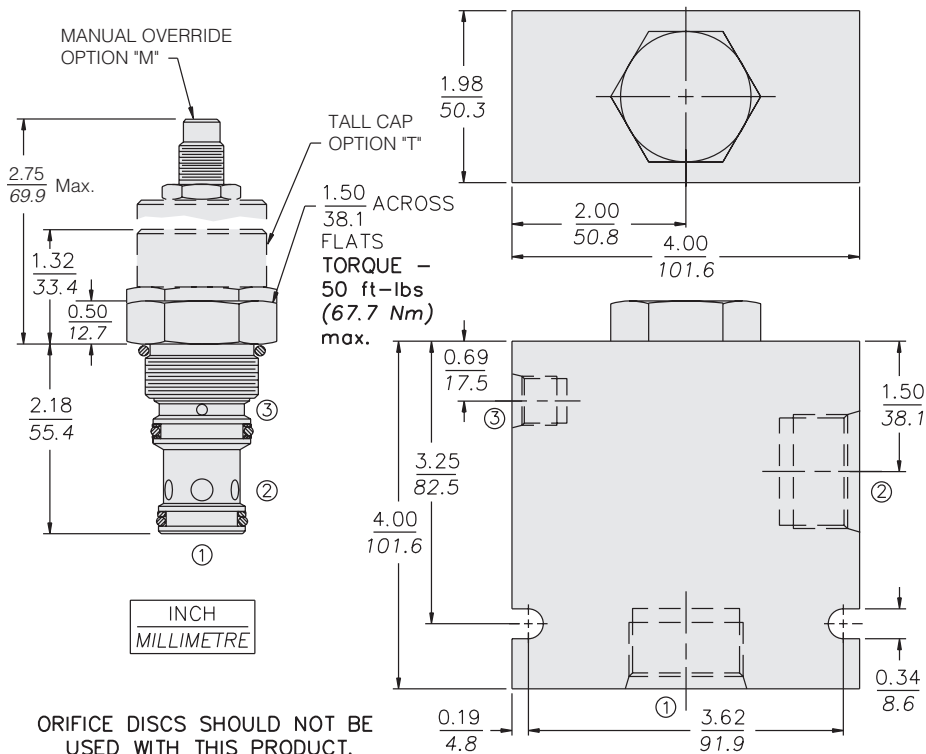
### Cartridge:

Weight: 0.27 kg. (0.60 lbs.)  
 Steel with hardened work surfaces.  
 Zinc-plated exposed surfaces.  
 Buna N O-rings and polyester elastomer back-ups standard.

### Standard Ported Body:

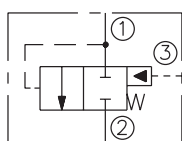
Weight: 1.50 kg. (3.3 lbs.)  
 Anodized highstrength 6061 T6 aluminum alloy, rated to 207 bar (3000 psi).  
 Ductile iron bodies available; dimensions may differ.

## Dimensions

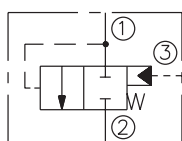


## Symbols

### USASI:



### ISO:



## Performance

