



# EP10-S35

**Piloted Spool-Type Logic Element**  
**207 BAR Rated**

A spool-type, screw-in, cartridge-style, hydraulic directional element, with multi-function potential when used with other directional, pressure, or flow control devices.

## Materials

### Cartridge:

Weight: 0.15 kg. (0.32 lbs.)  
 Steel with hardened work surfaces.  
 Zinc-plated exposed surfaces.  
 Buna N O-rings and polyester elastomer back-ups standard.

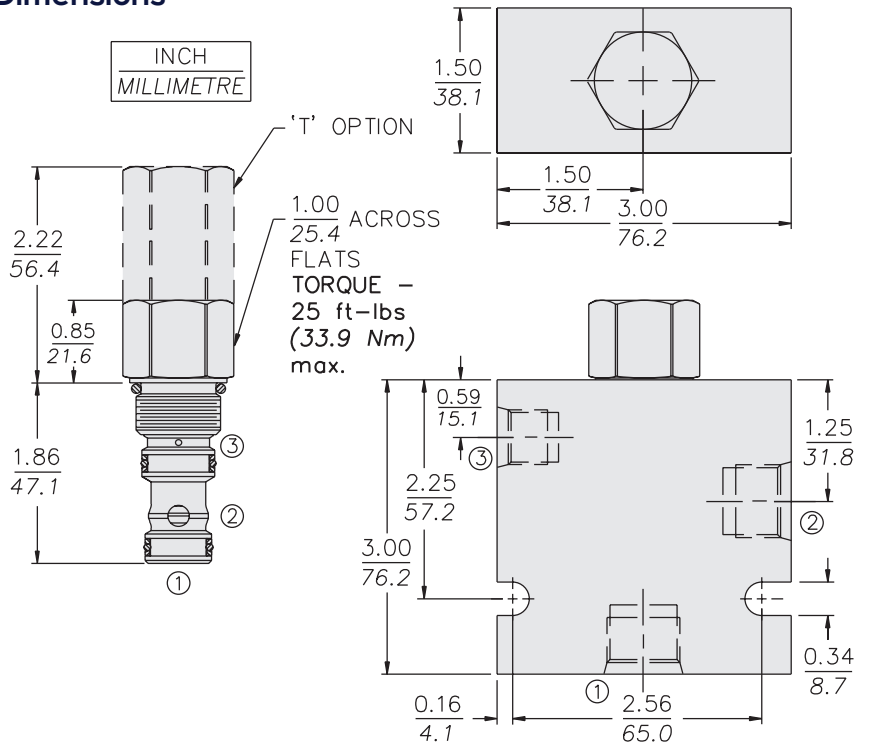
### Standard Ported Body:

Weight: 0.32 kg. (0.70 lbs.)  
 Anodized highstrength 6061 T6 aluminum alloy, rated to 207 bar (3000 psi).  
 Ductile iron (8TD) bodies are available for pressures up to 350 bar (5000 psi); Weight and dimensions may differ.

Porting	Hydraforce code	Article no.	Spring Options
			* suffix with
			<b>10</b> = 0.7 BAR (10 PSI)
			<b>40</b> = 2.8 BAR (40 PSI)
Cartridge Version	EP10-S35-0-N-*	EP10S350C*	<b>80</b> = 5.52 BAR (80 PSI)
			<b>110</b> = 7.6 BAR (110 PSI)
			<b>160</b> = 11 BAR (160 PSI)
			<b>230</b> = 15.9 BAR (230 PSI)

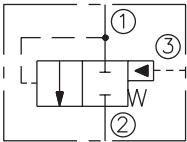
**with nitril seals / Viton on request**

## Dimensions

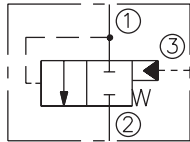


## Symbols

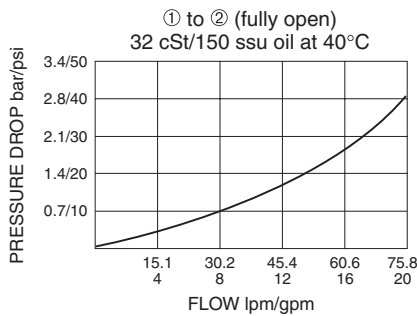
### USASI:



### ISO:



## Performance



ORIFICE DISCS SHOULD NOT BE USED WITH THIS PRODUCT.

