

DDF6 6 WAY FLOW DIVERTERS

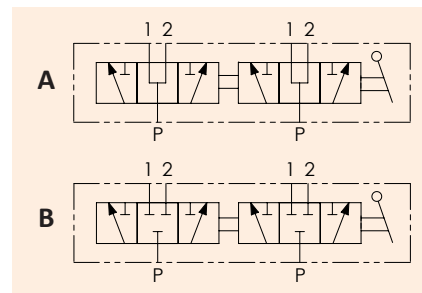
300 – 220 BAR Rated



OLEWEB
Valves and solutions

HYDRAULIC VALVES

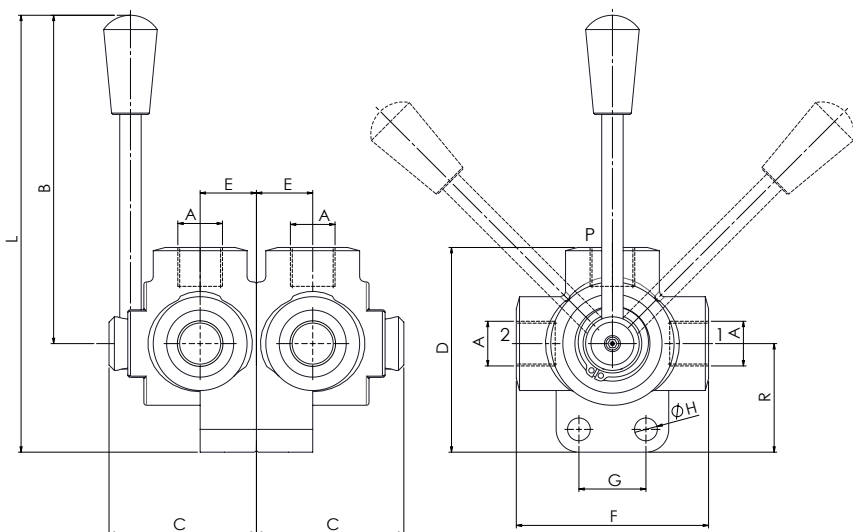
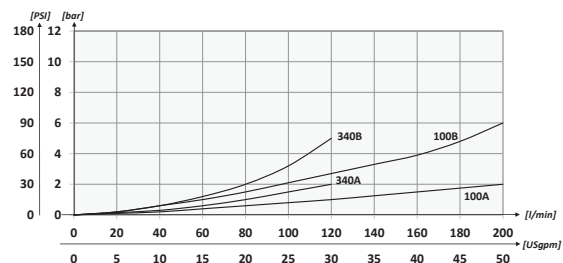
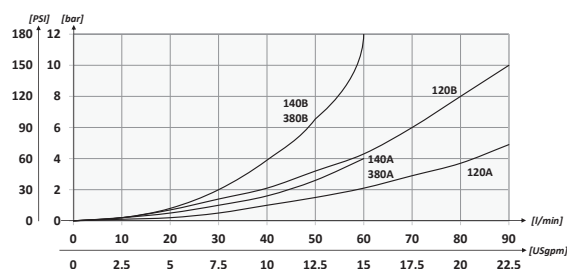
Article no.	Circuit	Size BSP	Max Pressure BAR	Max Flow l/min
DDF6140A	Circuit type A	1/4"	300	40+40
DDF6380A		3/8"	300	60+60
DDF6120A		1/2"	250	90+90
DDF6340A		3/4"	220	120+120
DDF6100A		1"	220	200+200
DDF6140B	Circuit type B	1/4"	300	40+40
DDF6380B		3/8"	300	60+60
DDF6120B		1/2"	250	90+90
DDF6340B		3/4"	220	120+120
DDF6100B		1"	220	200+200



Technical data

Mineral oil	ISO 6743/4 (DIN 51524)
Oil viscosity	15-250 mm ² /s (15 to 250 cSt)
Max contamination index	ISO 4406:1999 Classe 19/17/14
Oil temperature	-20°C to +80°C -4°F to +176°F
Ambient temperature	-20°C to +50°C -4°F to +122°F
Max leakage	9cc/min @ 40°C 2900 PSI (200 bar)
It is necessary a filter is used to protect the valve (advised filtration 15 µm)	

Pressure Drop Graph



Dimensions (mm)

Code	A	B	D	E	F	G	H	L	P	R	Weight kg
DDF6380	BSPP 3/8	115	75.5	21	70	25	8.5	155.5	112	32	1.50
DDF6120	BSPP 1/2	115	86	24	80	32	8.5	161	124	36	2.30
DDF6340	BSPP 3/4	115	98.5	26	90	32	10.5	168.5	132	42	3.50
DDF6100	BSPP 1	115	110	31	98	32	10.5	176.5	152	50	5.30