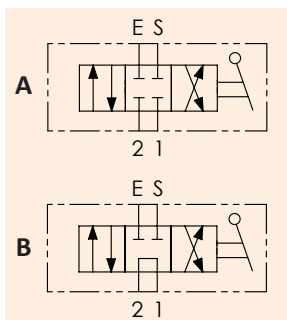




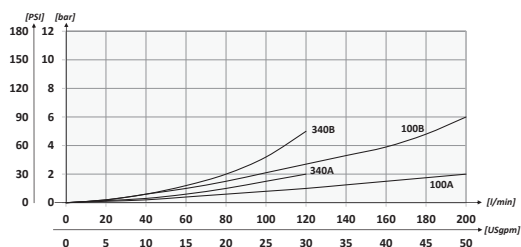
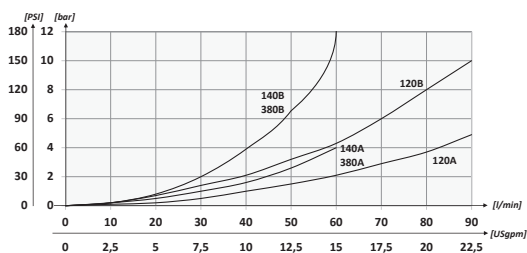
IDF4 4 WAY FLOW DIVERTERS

300 – 350 BAR Rated



Article no.	Circuit	Size BSP	Max Pressure BAR	Max Flow l/min
IDF4140A	Circuit type A	1/4"	350	60
IDF4380A		3/8"	350	60
IDF4120A		1/2"	350	90
IDF4340A		3/4"	350	120
IDF4100A		1"	300	200
IDF4140B	Circuit type B	1/4"	350	60
IDF4380B		3/8"	350	60
IDF4120B		1/2"	350	90
IDF4340B		3/4"	350	120
IDF4100B		1"	300	200

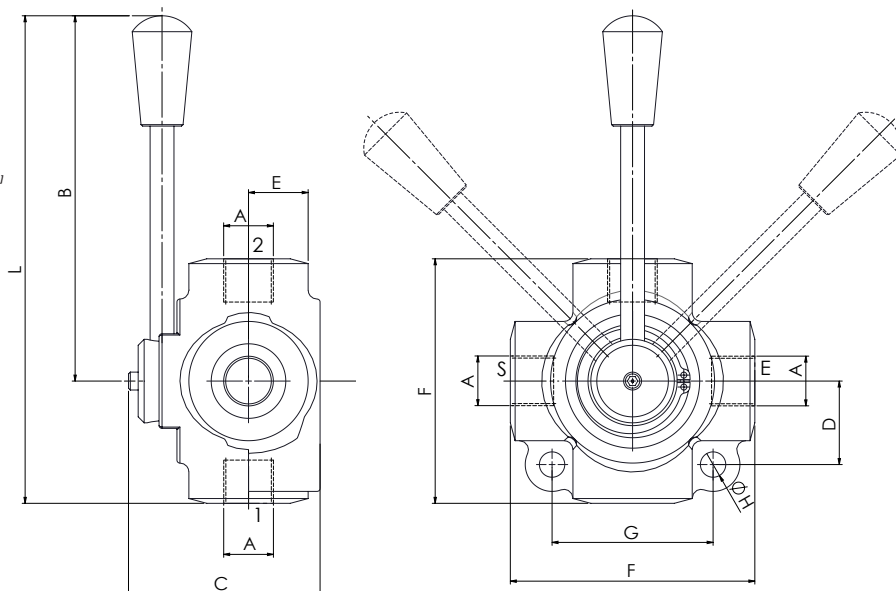
Pressure Drop Graph



Technical data

Mineral oil	ISO 6743/4 (DIN 51524)
Oil viscosity	15-250 mm ² /s (15 to 250 cSt)
Max contamination index	ISO 4406:1999 Classe 19/17/14
Oil temperature	-20°C to +80°C -4°F to +176°F
Ambient temperature	-20°C to +50°C -4°F to +122°F
Max leakage	9cc/min @ 40°C 2900 PSI (200 bar)

It is necessary a filter is used to protect the valve (advised filtration 15 µm)



Dimensions (mm)

Code	A	B	C	E	F	G	H	L	P	Weight kg
IDF4140	BSPP 1/4	115	63	24	80	54	8.5	155	28	1.20
IDF4380	BSPP 3/8	115	63	24	80	54	8.5	155	28	1.20
IDF4120	BSPP 1/2	115	63	24	80	54	8.5	155	28	1.10
IDF4340	BSPP 3/4	115	77	31	94	74	10.5	162	38	2.20
IDF4100	BSPP 1	115	77	31	94	74	10.5	162	38	2.00