



# VMDR40 DIRECT ACTING PRESSURE RELIEF VALVES

350 BAR Rated



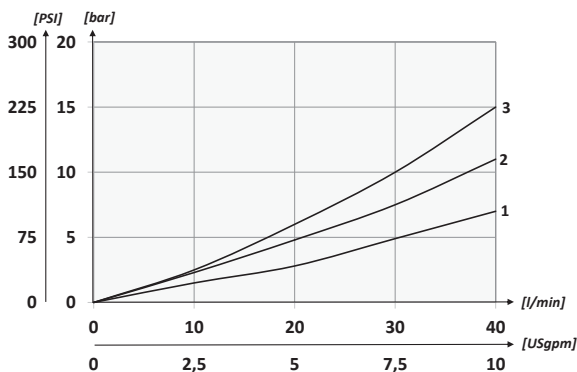
Article no.	Size	Max Pressure BAR	Max Flow l/min
VMDR40380	BSPP 3/8	350	40
VMDR40120	BSPP 1/2	350	40

## Ordering code

### VMDR40 - X - Y - Z

X	Size	Y		Z	Spring
380	BSPP 3/8	C	Screw	1	10 - 90 bar
120	BSPP 1/2	V	Hand Wheel	2	20 - 210 bar
				3	70 - 350 bar

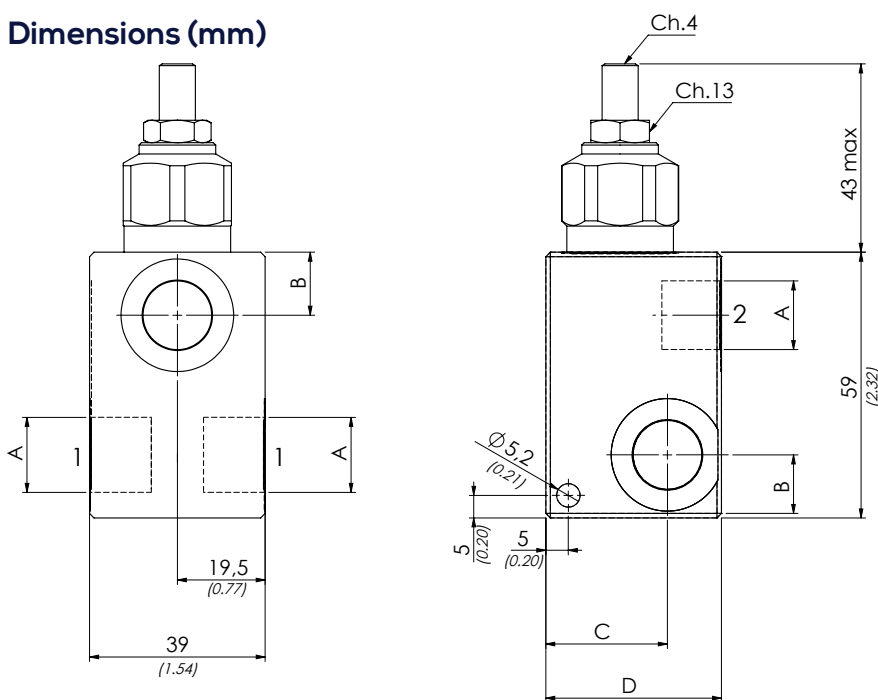
## Pressure Drop Graph



## Technical data

Mineral oil ISO 6743/4 (DIN 51524)  
 Oil viscosity 15-250 mm<sup>2</sup>/s (15 to 250 cSt)  
 Max contamination index ISO 4406:1999 Classe 19/17/14  
 Oil temperature -20°C to +80°C -4°F to +176°F  
 Ambient temperature -20°C to +50°C -4°F to +122°F  
 It is necessary a filter is used to protect the valve (advised filtration 15 μm)

## Dimensions (mm)



Code	A	B	C	D	Weight kg
VMDR40380	BSPP 3/8	14	27	39	0.64
VMDR40120	BSPP 1/2	15	29.5	45	1.69