



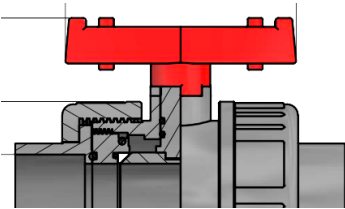
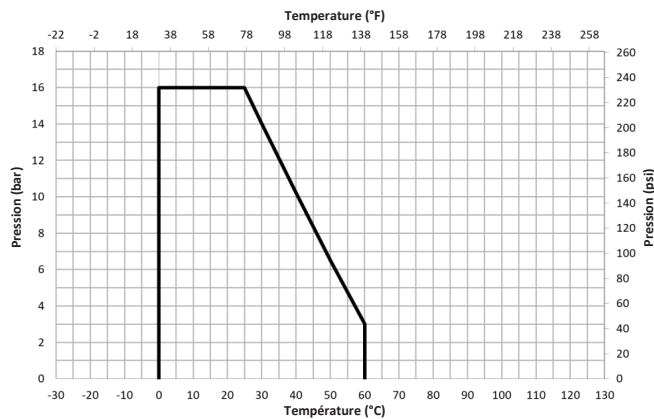
- PTFE Seats.
- Seals under the seats and 2 seals on spindle for an optimal sealing.
- Not suitable for Actuation or locking system
- Numerous Certificates for Water Treatment (ACS, WRAS, NSF, MARINE).
- Seal type - EPDM (Standard), FPM (OR)
- Working Temperature - 0°C to +60°C
- Working Pressure - 16 bar at 20°C

2-WAY DOUBLE UNION FULL BORE BALL VALVE

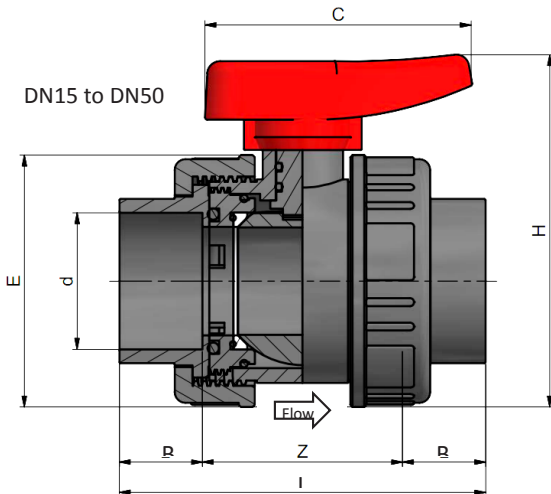
PVC-U, DN15 to DN100

Article no.	Seal type	Size	DN
4101015	EPDM	1/2"	15
4101020	EPDM	3/4"	20
4101025	EPDM	1"	25
4101032	EPDM	1 1/4"	32
4101040	EPDM	1 1/2"	40
4101050	EPDM	2"	50
4101065	EPDM	2 1/2"	65
4101080	EPDM	3"	80
4101100	EPDM	4"	100

Pressure / Temperature Curves



DN65 to DN100
Hand wheel Operated



DN15 to DN50

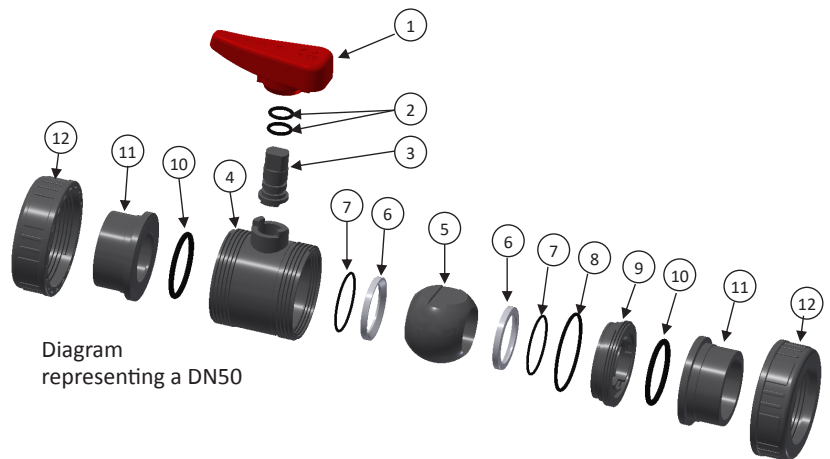


Diagram representing a DN50

Dimensions (mm)

DN	d	L	B	Z	E	H	C	Weight (Kg)
15	16	78	16	46	49	74	64	0,14
15	20	78	16	46	49	74	64	0,14
20	25	92	19	54	60	88	74	0,2
25	32	105	22	61	69	103	86	0,3
32	40	121	26	69	80	116	98	0,45
40	50	141	31	79	96	139	111	0,69
50	63	169	38	93	116	162	125	1,15
65	75	228	44	140	167	228	169	3,1
80	90	241	51	139	167	228	169	3,25
100	110	284	61	162	209	274	204	5,5

Materials

N°	QTY	DESCRIPTION	MATERIAL
1	1	HANDLE	ABS
2	2	O-RING	EPDM/FPM
3	1	STEM	PVC-U
4	1	BODY	PVC-U
5	1	BALL	PVC-U
6	2	SEAT	PTFE
7	2	O-RING	EPDM/FPM
8	1	O-RING	EPDM/FPM
9	1	ADJUSTING END	PVC-U
10	2	O-RING	EPDM/FPM
11	2	PVC-U DIN Metric plain socket	PVC-U
12	2	NUT	PVC-U