

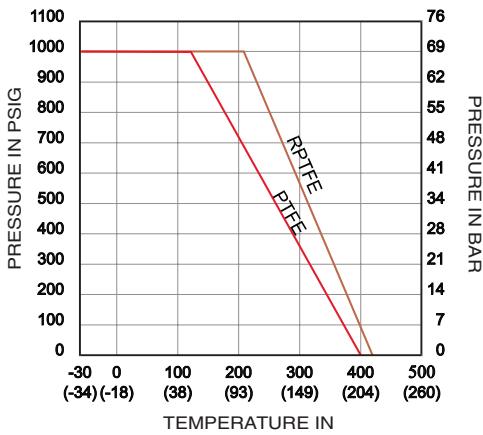
STAINLESS STEEL BALL VALVE 1 PIECE REDUCED BORE

800 PSI Rated

Materials

Body	Investment Cast SS Cf8m (316)
Ball	316 SS - Mirror Finish
Stem Seal	PTFE
Ball Seal	PTFE
Temp. Range	see graph
Handle	304 Stainless Steel Lockable

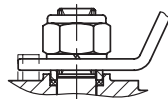
Pressure Vs. Temperature Chart



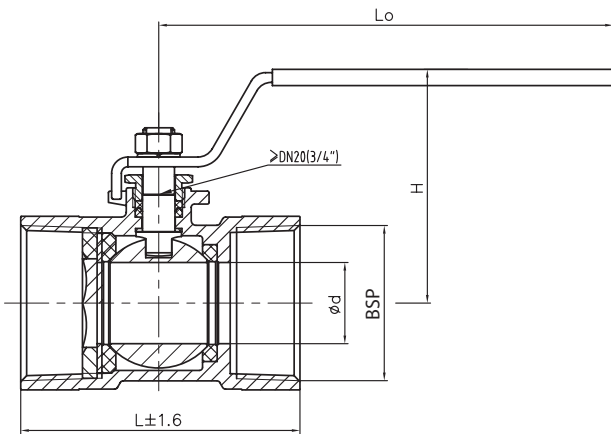
Article no. BSP	Size BSP	Max Pressure BAR
901031	1/4"	55
901032	3/8"	55
901033	1/2"	55
901034	3/4"	55
901035	1"	55
901036	1 1/4"	55
901037	1 1/2"	55
901038	2"	55

Article no. NPT	Size BSP	Max Pressure BAR
901031N	1/4"	55
901032N	3/8"	55
901033N	1/2"	55
901034N	3/4"	55
901035N	1"	55
901036N	1 1/4"	55
901037N	1 1/2"	55
901038N	2"	55

Padlock
PAD



DN80(3")-150(6")



Dimensions (mm)

BSP	L	ød	Lo	H	kg
1/4"	40	5	70	33.5	0.07
3/8"	45	7	70	35	0.11
1/2"	55	9	80	39	0.17
3/4"	60	11.5	95	49	0.25
1"	70	15	105	54	0.40
1 1/4"	80	19.5	120	65.5	0.67
1 1/2"	86	25	140	72	0.82
2"	101	32	150	81	1.35