

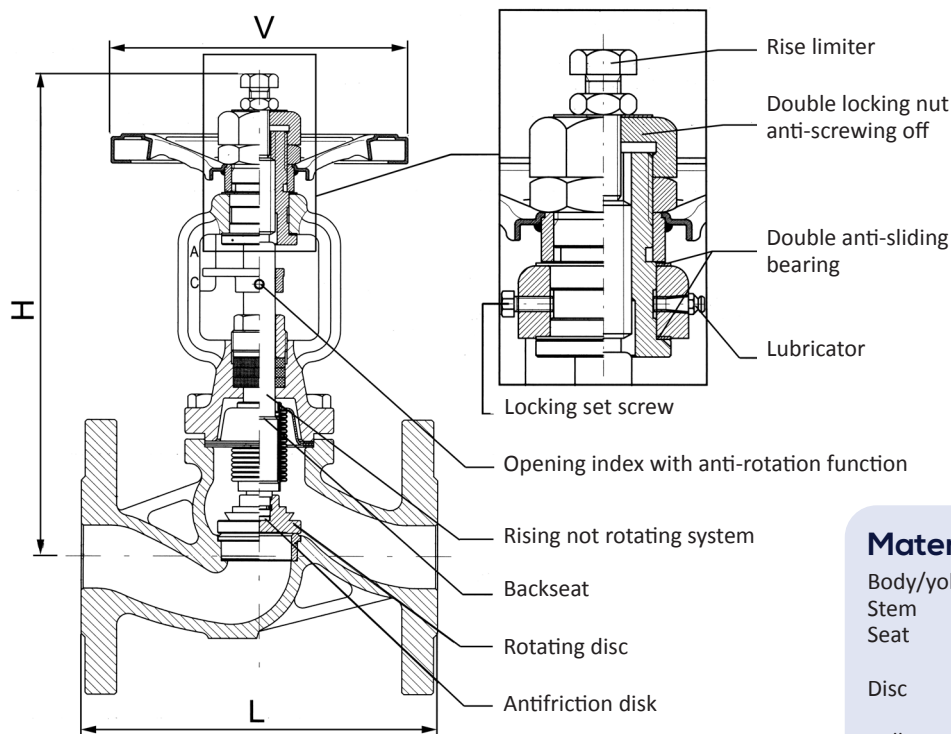
SG IRON BELLOWS SEAL GLOBE VALVE

Article 64 Nodular Cast Iron PN16 rated

Article no.	Size
MIV6404	1/2"
MIV6405	3/4"
MIV6406	1"
MIV6407	1 1/4"
MIV6408	1 1/2"
MIV6410	2"
MIV6412	2 1/2"
MIV6414	3"
MIV6418	4"
MIV6419	5"
MIV6420	6"
MIV6421	8"
MIV6422	10"

Article 63 Nodular Cast Iron PN25 rated

Article no.	Size
MIV6304	1/2"
MIV6305	3/4"
MIV6306	1"
MIV6307	1 1/4"
MIV6308	1 1/2"
MIV6310	2"
MIV6312	2 1/2"
MIV6314	3"
MIV6318	4"
MIV6319	5"
MIV6320	6"
MIV6321	8"



Materials

Body/yoke	EN-GJS-400-18-LT
Stem	X20 Cr13
Seat	DN 15 -125: X20 Cr13 DN 150 - 300: St52-3 + X5CrNi 18 10
Disc	DN 15 -100: X20 Cr13 DN 125 - 300: C22.8 + X5CrNi 18 10
Bellows	X6 CrNiTi 18 10
Gaskets	Graphite

Dimensions (mm)

DN	15	20	25	32	40	50	65	80	100	125	150	200	250	300
L	130	150	160	180	200	230	290	310	350	400	480	600	730	850
H	217	219	230	233	258	260	353	358	380	391	469	582	683	712
V	125	125	125	125	150	150	200	200	250	300	350	400	500	600
Kg	4	4.8	5.8	7.2	10	12	21	24	31	46	60	113	180	241
Kv	4.59	7.26	11.5	16.8	26.7	42.6	77.9	111	177	262	364	664	1044	1493