

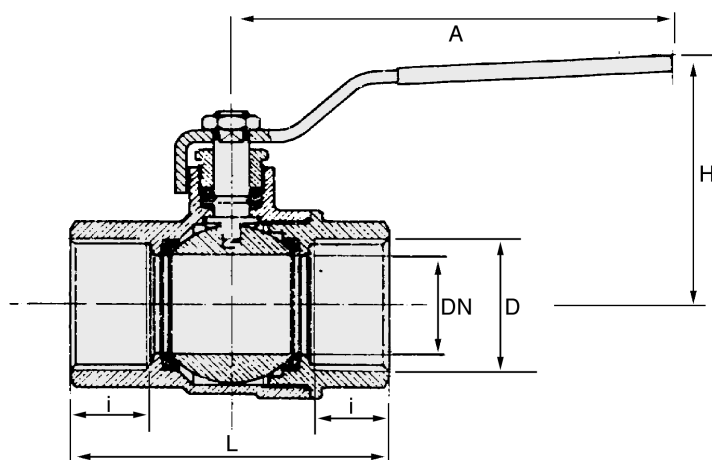
Lockable in both open and closed positions. The RUB locking device covers the stem nut making removal of the lever impossible without first removing the padlock.

LOCKABLE BRASS BALL VALVES

BSP Parallel Threaded – ISO 228
Temp -40°C to 170°C
40 Bar Rated

Article no.	Size	Max Pressure BAR
946130	1/4"	40
946131	3/8"	40
946132	1/2"	40
946133	3/4"	40
946134	1"	40
946135	1 1/4"	40
946136	1 1/2"	40
946137	2"	40

Padlock
PAD



Dimensions

D BSP	DN	I	L	A	H
1/4"	8	12	45	82	39.5
3/8"	10	12	45	82	39.5
1/2"	15	15.5	59	100	43
3/4"	20	17	64	120	50
1"	25	21	81	120	54
1 1/4"	32	23	93	158	76.5
1 1/2"	40	23	102	158	82.5
2"	50	26.5	121	158	89.5