

VENTED BRASS BALL VALVES

BSP Parallel ISO 228

14 BAR Rated

Temp -10°C to 100°C

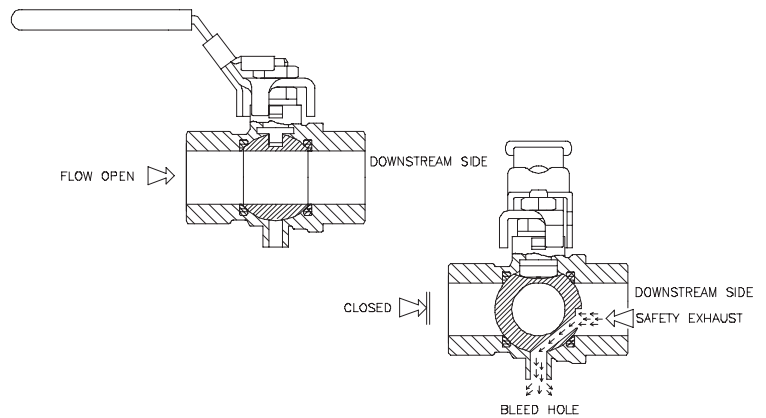
Silicon Free



BRASS & BRONZE BALL VALVES

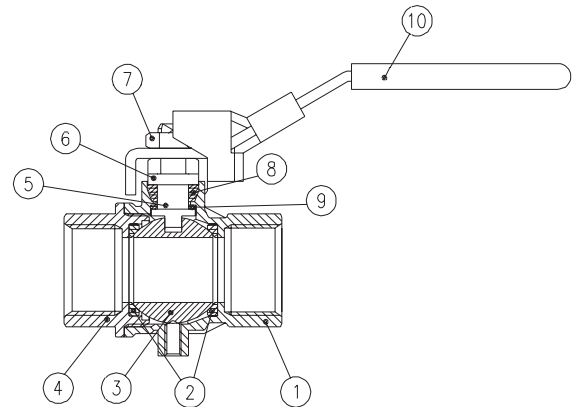
Article no.	Size	Max Pressure BAR	Padlock PAD
946140	1/4"	14	
946141	3/8"	14	
946142	1/2"	14	
946143	3/4"	14	
946144	1"	14	
946145	1 1/4"	14	
946146	1 1/2"	14	
946147	2"	14	

Featuring patented tamper-proof lockable handle that has no equal in the market. S.93 RuB range exhausts automatically and continuously downstream air pressure as soon as turned in the closed position. Valve is lockable in the closed position only, according to Par. 1910.147 safety OSHA (USA) requirements allowing safe maintenance of the air-supplied equipment; when valve is open one simple 90° turn of the handle shuts flow immediately.



Materials

1	Nickel plated body	CW617N RUB001
2	Ball seat	PTFE carbon filled 5-15 RUB008
3	Chrome plated ball	CW617N RUB001
4	Nickel plated end cap	CW617N RUB001
5	Nickel plated stem packing gland design	CW614N RUB001
6	Nickel plated packing nut	CW614N RUB001
7	Dacrotized nut	C10 RUB003
8	Packing gland seal	PTFE RUB008
9	Washer	PTFE carbon filled 25 RUB008
10	Light blue dacrotized steel lockable handle	Fe50 RUB003



Dimensions

D	inch	1/4"	3/8"	1/2"	3/4"	1"	1 1/4"	1 1/2"	2"
DN	mm	8	10	15	20	25	32	40	50
I	mm	12	12	15.5	17	21	23	23	26.5
L	mm	45	45	59	64	81	93	102	121
G	mm	22.5	22.5	29.5	32	40.5	46.5	51	60.5
A	mm	95.5	95.5	95.5	116	116	156.5	156.5	156.5
H	mm	47	47	51.5	59	63	77	83	90
CH	mm	20	20	25	31	40	49	54	68.5
N									M5

