

NICKEL PLATED BRASS FULL BORE BALL VALVES

BSP Parallel Threaded – ISO 228
14 – 50 BAR Rated

Article no. LEVER HANDLE	Size	Max Pressure BAR
090001	1/4"	50
090002	3/8"	50
090003	1/2"	50
090004	3/4"	40
090005	1"	40
090006	1 1/4"	30
090007	1 1/2"	30
090008	2"	25
090009	2 1/2"	18
090010	3"	16
090011	4"	14

Article no. T HANDLE
09214
09238
09212
09234
09210
09211

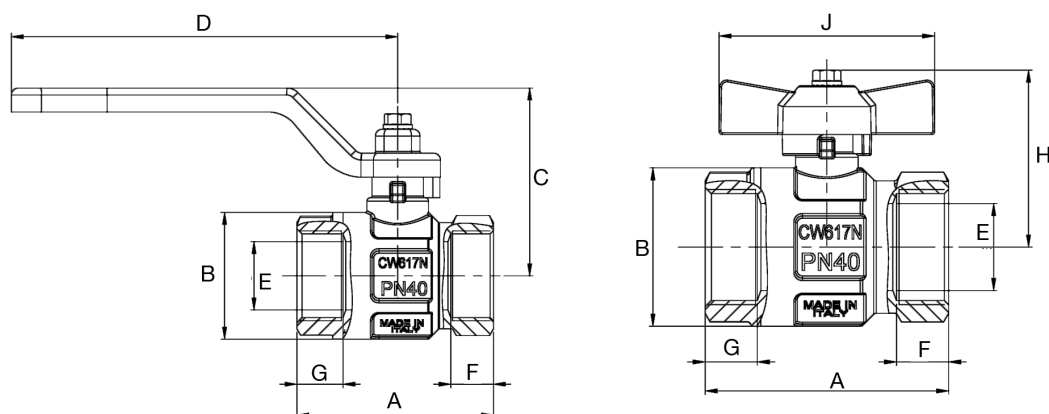


Limit Switch

Article No.	
suffix/LS	1 switch fitted
suffix/LS2	2 switches fitted
LS	switch loose
LSB	bracket only

Materials

Body	Forged Brass - Nickel Plated
Ball	Brass - Chromed
Stem Seal	VITON
Ball Seal	PTFE
Temp. Range	-15 TO +150°C
Lever	Steel (Zinc Plated & Painted)
Tee Handle	Aluminium



Dimensions (mm)

size	1/4"	3/8"	1/2"	3/4"	1"	1 1/4"	1 1/2"	2"	2 1/2"	3"	4"
DN	8	10	15	20	25	32	40	50	65	80	100
A	44.4	44.4	50.5	57.5	70	80.5	94.5	112.5	134.5	157	190
B	23.5	24	30.5	37	45.5	57	70	84	109	131	164
C	37	37	41	55	59	74.5	80.5	96.5	116	133	148
D	80	80	80	113	113	138	138	157.8	197	250	250
E	10	10	15	20	25	32	40	50	65	80	100
F	10	10	12	12.5	15	17	18.5	22	24	26	30
G	10	10	12.5	13.5	15	16.5	17.5	20.5	24	26	30
H	36.5	36.5	41.5	48	52	65					
J	47	47	47	62	62	70					