

# CAST IRON FLANGED BALL VALVE SERIES B2

**PN16**

### Options - prices on request

- With AISI 304 S/S ball and stem
- With AISI 316 S/S ball and AISI 304 S/S stem
- EPOXY painted body
- ANSI Class 150 drilled flanges
- With VITON seals

### Temperature

NITRIL -10 to 90°C  
VITON -10 to 140°C

Article no.	Size	Pressure BAR
B200040	11/2"	16
B200050	2"	16
B200065	2 1/2"	16
B200080	3"	16
B2000100	4"	16
B2000125	5"	16
B2000150	6"	16
B2000200	8"	16
B2000250	10"	10

STANDARD = Brass Ball & Stem with Nitril seals



**DVGW APPROVED  
GAS VERSION  
available on request**

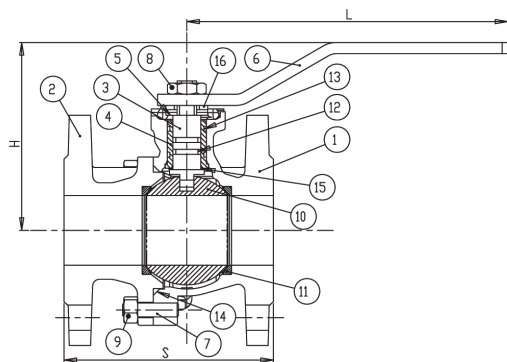
### Limit Switch

Article no.	
suffix LS	1 switch fitted
suffix LS2	2 switches fitted
LS	loose switch
LSB	BRACKET ONLY
SWBOX	Limit Switch Enclosed Box

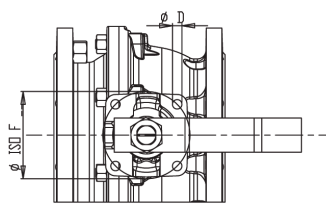
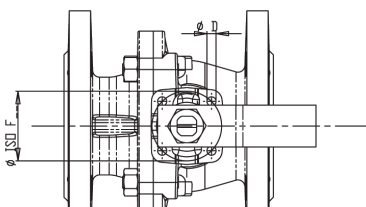
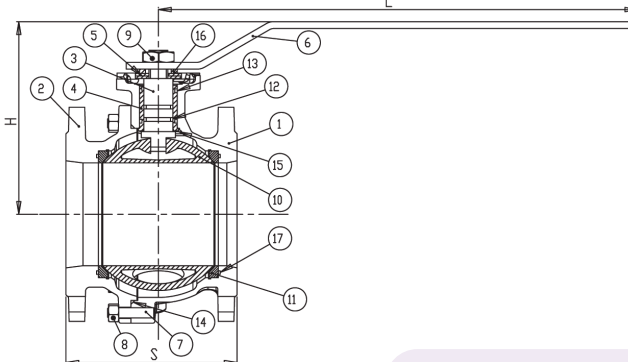


### Dimensions (mm)

DN 40 ÷ 100



DN 125 ÷ 150



DN	40	50	65	80	100	125	150
S	140	150	170	180	190	200	210
H	125	135	143	165	180	225	243
L	230	230	230	280	360	450	560
ISO F	05	05	05	07	07	10	10
D	7	7	7	9	9	11	11
TORQUE (Nm)	18	20	40	70	100	180	250

### Materials

1	Body	GJS 400-15
2	Flange	GJS 400-15
3	Stem	Brass
4	Brushing	Brass
5	Plate	Fe 360 Zn
6	Handle	Fe 360 Zn
7	Screw	C40Zn
8	Nut	C40Zn
9	Nut	C40Zn
10	Ball	Brass G/CuZn40Pb2
11	Ball seat	PTFE+C
12	O-Ring	NBR
13	O-Ring	NBR
14	O-Ring	NBR
15	Ring	PTFE
16	Ring	C40Zn
17	O-ring	NBR