



# SERIES: HUS

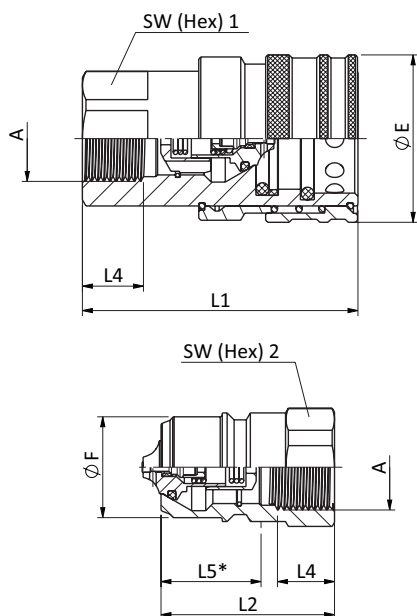
**Carbon Steel**  
**Connection under pressure**  
**Nordic interchange**

## Product Features

- Poppet valve
- Coupling made from carbon steel with Zinc/Nickel surface coating
- Integrated locking system preventing unintentional release of the coupling
- Nordic interchange
- Female body is supplied with safety locking ring
- Male and Female poppet valves fitted with decompression valve (pressure eliminator)

## Technical Features

|                        |  |
|------------------------|--|
| Material               | Carbon Steel   |
| Surface Finishing      | Zinc-Nickel  |
| Standard Seal          | NBR (Buna-N®)  |
|                        | Other materials available on request                   |
| Working Temperature    | -30° C ... +106° C / -22° F ... +223° F                |
| Valve Design           | Poppet Valve   |
| Connection             | Push   |
| Disconnection Actuate  | Push Sleeve  |
| Connect Under Pressure | Male Tip/Female Body                                   |
| Application            | Construction Machinery, Industrial Hydraulic, Forestry |



SW: Width across flats. All dimensions in mm

| Article no. | Description                  |
|-------------|------------------------------|
| 611001      | HUS Female 10 Body 3/8" BSPF |
| 611002      | HUS Male 10 Body 3/8" BSPF   |
| 611003      | HUS Female 12 Body 1/2" BSPF |
| 611004      | HUS Male 12 Body 1/2" BSPF   |
| 611005      | HUS Female 19 Body 3/4" BSPF |
| 611006      | HUS Male 19 Body 3/4" BSPF   |
| 611007      | HUS Female 25 Body 1" BSPF   |
| 611008      | HUS Male 25 Body 1" BSPF     |

## Dimensions (mm)

| Nominal Size | Port A | ØE | ØF   | L1   | L2   | L4 min | L5   | SW1 | SW2 | Female Body Weight kg | Male Tip Weight kg |
|--------------|--------|----|------|------|------|--------|------|-----|-----|-----------------------|--------------------|
| 10           | G3/8"  | 35 | 19.9 | 61.6 | 38   | 12     | 23   | 24  | 22  | 0.237                 | 0.059              |
| 12           | G1/2"  | 41 | 24.7 | 67.5 | 42.5 | 14     | 24.5 | 30  | 27  | 0.358                 | 0.096              |
| 19           | G3/4"  | 52 | 32.7 | 76.4 | 47   | 18     | 28.5 | 38  | 36  | 0.620                 | 0.193              |
| 25           | G1"    | 62 | 40.9 | 92.4 | 56.5 | 20     | 35   | 45  | 45  | 1.024                 | 0.359              |

## Technical Data

| Series | DN  | DN      | Q max | Working Pressure |      |           |       | Bursting Pressure |       |          |       |
|--------|-----|---------|-------|------------------|------|-----------|-------|-------------------|-------|----------|-------|
|        |     |         |       | ISO 4397         |      | Connected |       | Female Body       |       | Male Tip |       |
|        |     |         |       | Inch             | mm   | bar       | PSI   | bar               | PSI   | bar      | PSI   |
| HUS-10 | 3/8 | 10      | 30    | 350              | 5076 | 1050      | 15229 | 1450              | 21031 | 1500     | 21756 |
| HUS-12 | 1/2 | 12.5    | 67.5  | 315              | 4569 | 1000      | 14504 | 1200              | 17405 | 1000     | 14504 |
| HUS-19 | 3/4 | 19 (20) | 159   | 270              | 3916 | 1080      | 15664 | 1000              | 14504 | 900      | 13053 |
| HUS-25 | 1   | 25      | 378   | 270              | 3916 | 900       | 13053 | 900               | 13053 | 900      | 13053 |

The indicated pressure ratings only apply to the coupling itself and depend on the connection type.