



L133 SERIES SOLENOID VALVE

**2/2 Normally Closed - Pilot Operated Hung Diaphragm - G 3/8-G1
- Works from zero pressure**



General Features

- Pilot operated hung diaphragm valve with full orifice.
- Designed for closed circuit hydraulic systems and for vessels draining.
- Suitable to shut off liquid and gaseous fluids (verify the compatibility of fluid with materials in contact).

Technical Features

Max allowable pressure (PS)	16 bar
Opening time (ms)	from ~100ms to ~150ms
Closing time (ms)	from ~100ms to ~400ms
Fluid temperature	-10°C +90°C (NBR) 0°C +130°C (FPM) -10°C +140°C (EPDM)
Max viscosity	5°E (~37 cStokes or mm ² /s)

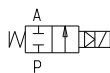
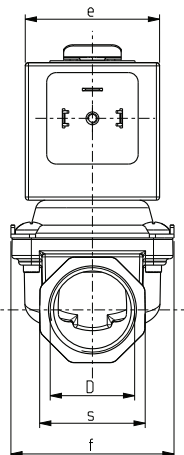
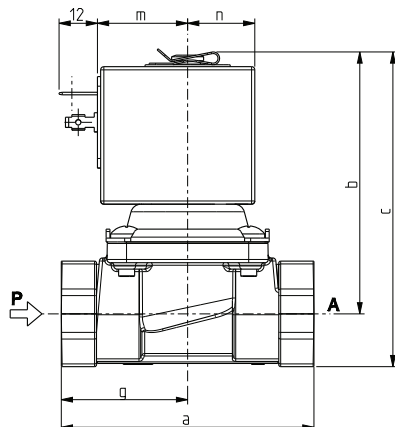
Materials - in contact with fluid

Body	Brass
Sealing	NBR FPM or EPDM on request
Internal components	Stainless steel and PPS (G3/8 – G1/2) Stainless steel and brass (G3/4 – G1)
Seat	Brass
Core tube	Stainless steel
Shading coil	Copper (except L133(*)17)

Coil	ZA10A (3/8"-1/2" AC)	ZA10B (3/8"-1/2" DC)	Z130A (3/4")	Z923A/E (1")
Approval	UL (class F) – for UL cl.H: ZA34*			–
Power consumption	24/14VA	10W	44/24VA-13W	65/33VA - 17W
Encapsulation material	PPS (Polyphenilsulfure) fiberglass reinforced	PET (polyethylene terephthalate) fiberglass reinforced		PPS (Polyphenilsulfure) fiberglass reinforced
Insulation class	F (155°C) on request class H (180°C)		F (140°C) on request class H (165°C)	H (165°C)
Ambient temperature	-10°C +50°C		-10°C +60°C	-10°C +80°C
Continuous duty	ED 100%			
Electric connection	DIN 46340 - 3 poles connectors (EN175301-803)			
Protection degree	IP 67 (EN 60529) with plug connector	IP 65 (EN 60529) with plug connector		
Voltages	DC - 12-24V (+10% -5%)			
	AC - 24V/50Hz - 110V/50Hz (120V/60Hz) - 230V/50Hz (+10% -15%) (Other voltages and frequencies on request)			

Article no.	Size	Orifice	KV (m3/hr)	Differential Pressure (bar)		
				Δ p min	Δ p max AC	Δ p ma DC
453390*	G3/8"	12.5	2	0	10	8
453391*	G1/2"	12.5	2.2	0	10	8
453392*	G3/4"	17	4.5	0	10	3
453393*	G1"	24	9	0	10	3

* Suffix with:
A = 240v AC
B = 110v AC
D = 24v DC



Dimensions (mm)

D	a	b	c	e	f	m	n	s	g
G 3/8	60	67.5	787	30	40.2	21.6	15*	22	25.5
G 1/2	66	67.5	78.7	30	40.2	21.6	15*	27	-
G 3/4	79	81	98	42	51	28	21	33	-
G 1	105	100	121	48.6	71	35	24.3	42	46

*Only for ZA10B n=19,9

Notes

- The nominal flow is guaranteed with Δp min ≥ 0,3 bar. Contact us in case of lower Δp min values.
- UL approved coil (E153691)
- 1 - IMQ CSV approval, see ZA10 datasheet for further details