

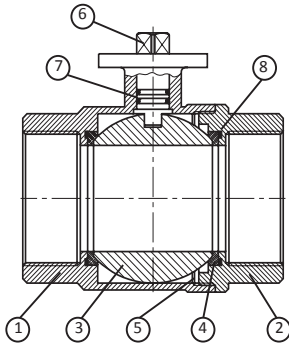


BRASS BALL VALVE WITH PNEUMATIC ACTUATOR DOUBLE ACTING

40 - 25 BAR Rated

Double Acting

Article no.	Size	Pressure BAR
70004502	1/4"	40
70004503	3/8"	40
70004504	1/2"	40
70004505	3/4"	40
70004506	1"	40
70004507	1 1/4"	32
70004508	1 1/2"	30
70004510	2"	30
70004512	2 1/2"	30
70004514	3"	25



Materials

- | | | |
|---|-----------|---------------------|
| 1 | Body | Hot pressed brass |
| 2 | End cap | Hot pressed brass |
| 3 | Ball | Brass chrome plated |
| 4 | Seat ring | P.T.F.E. |
| 5 | Body seal | P.T.F.E. |
| 6 | Stem | Brass |
| 7 | Stem ring | Viton |
| 8 | O-ring | NBR 70 |

Additional cost for actuators supplied fitted with:

Limit Switch Box page 28



Article no.	
SWBOX	IP67 Standard
SWBOXP	Proximity Switches
SWBOXIS	Intrinsically Safe Box
SWBOXEX	Explosion Proof

Namur Pilot Solenoid Valve page 29



Article no.	
55100229*	Suffix * with A - 220V AC B - 110V AC D - 24V DC

Intrinsically Safe & Explosion Proof also available

PD100 Smart Valve Positioner page 30

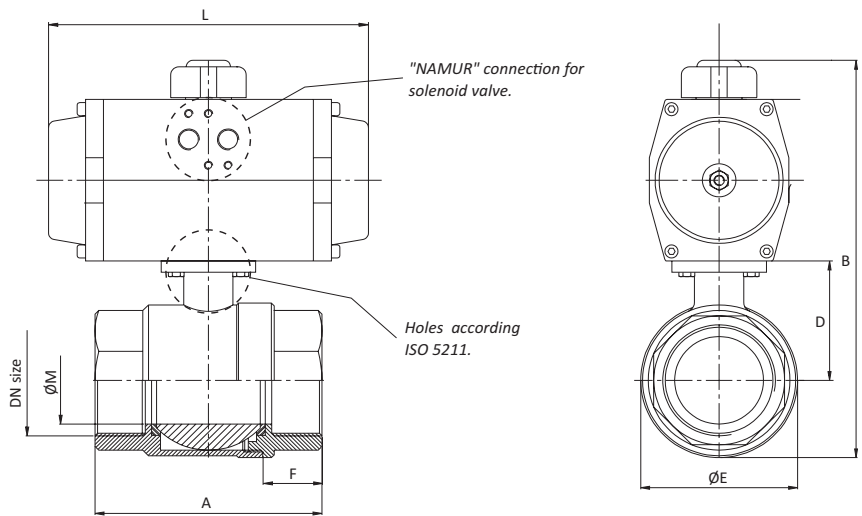


Article no.	
420100	
- 4-20mA input signal & Auto calibration	
- Local user interface & LCD display	
- Optional features available	

IP67 Inductive Proximity Switch page 31



Article no.	
IPSFIT	
- inductive sensor included (555602)	
- target puck included (555422)	
Optional 2mtr cable with M12 connector	
ECV001	



Overall Dimensions - Double Acting

Dia mm	Size ins.	Model	A	B	D	ØE	F	L	ØM	WEIGHT Kg.
8	1/4"	AP0 - DA	65	115	29	32	17	110	11.5	0.82
10	3/8"	AP0 - DA	65	115	29	32	17	110	15	0.82
15	1/2"	AP0 - DA	65	137	29	32	17	110	15	1.12
20	3/4"	AP1 - DA	75	144	32	40	19	137	20	1.24
25	1"	AP1 - DA	86	151.5	36	47	21	137	25	1.62
32	1 1/4"	AP1 - DA	95	161.5	41	57	22	137	32	1.91
40	1 1/2"	AP2 - DA	101	199.5	57	69	22	150	38	2.79
50	2"	AP2 - DA	120	213	64	82	25	150	47	3.62
65	2 1/2"	AP3 - DA	157	266.5	85	113	30	204	65	7.02
80	3"	AP3 - DA	188	297	94.5	135	33	204	80	10.39