



2/2 VALVES PRESSURE OPERATED ASCO 290 SERIES

**Piston-type
On/off**



Technical

Fluids	air, inert gas, water, oil (<600cSt) superheated water, steam, aggressive fluids
Pilot pressure	Refer to selection table
Allowable vacuum	10 ⁻² mbar
Fluid temperature	-10°C to +184°C
Ambient temperature	-10°C to +60°C
Body	Stainless steel, AISI 316L (operator Ø32) Bronze or stainless steel 316L (other operators)
Disc / stuffing box seal	PTFE
Other sizes and options available	- please contact our sales team

Features

- Electrically operated version available (page 44)
- Long service life, maintenance free actuators
- High flow capability
- Anti water hammer design
- High cycling
- Back pressure resistant
- Large range of certification
- Extensive range of options & accessories
- Proportional option available
- Available for food contact applications
- Various valve body connections
- Respect the environment / ROHS material

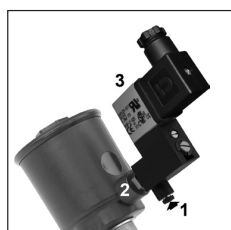
Bronze

Article no.	barg	Size
E290D0230DA0000	16	1/2"
E290D0330DA0000	10	3/4"
E290D0350DA0000	16	3/4"
E290D0450DA0000	10	1"
E290D0480DA0000	16	1"
E290D0580DA0000	12	1 1/4"
E290D0680DA0000	8	1 1/2"
E290D0780DA0000	10	2"

Stainless Steel

Article no.	barg	Size
E290D0230SA0000	16	1/2"
E290D0330SA0000	10	3/4"
E290D0350SA0000	16	3/4"
E290D0450SA0000	10	1"
E290D0480SA0000	16	1"
E290D0580SA0000	12	1 1/4"
E290D0680SA0000	8	1 1/2"
E290D0780SA0000	10	2"

Pipe size	Orifice size	Flow coefficient	Pilot pressure (bar)		max. operating pressure differential (bar)			operator dia.		
			min	max	air, inert gas, aggressive fluids	water, oil, liquids, aggressive fluids	steam ≤184°C		Bronze	Stainless steel
1/2	15	4.9	4	10	16	16	10	50	E290D0230DA0000	E290D0230SA0000
			4	10	10	10	10	50	E290D0330DA0000	E290D0330SA0000
3/4	20	9.4	4	10	16	16	10	63	E290D0350DA0000	E290D0350SA0000
			4	10	10	10	10	63	E290D0450DA0000	E290D0450SA0000
1	25	16.5	4	10	16	16	10	90	E290D0480DA0000	E290D0480SA0000
			4	10	12	12	10	90	E290D0580DA0000	E290D0580SA0000
1 1/2	40	45	4	10	8	8	8	90	E290D0680DA0000	E290D0680SA0000
2	50	66	4	10	10	10	10	125	E290D0780DA0000	E290D0780SA0000



Accessories - Banjo Pilot Valve

Operator dia.	Model	Ordering code	Body Material	Air connection
32-50-63	18900032	453763*	Polyamide	4mm push-fit
	SCG356B053VMS	453764*	Brass	1/8" BSP
	SCG356B058VMS	453765*	Stainless Steel	1/8" BSP
90-125	E314K141S1N01	453766*	Brass	1/4" BSP
	E314K140S1N01	453767*	Stainless Steel	1/4" BSP

* Suffix with:
A = 230V AC
B = 110V AC
D = 24V DC

2/2 VALVES PRESSURE OPERATED ASCO 290 SERIES

Piston-type
On/off

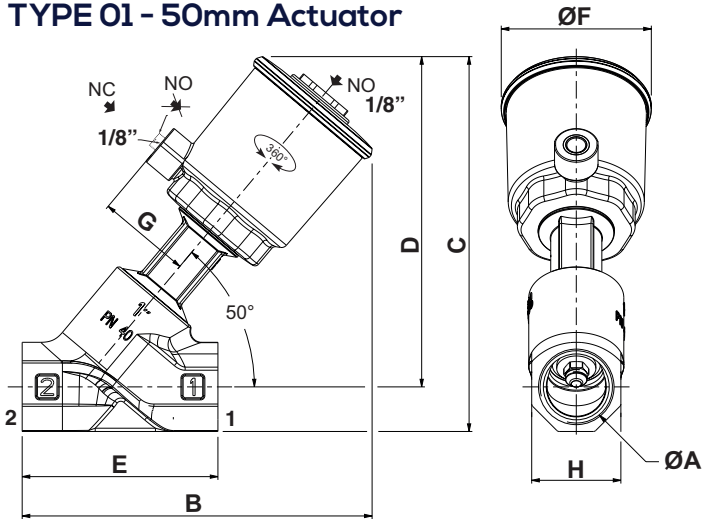


EMERSON | ASCO
Distributor

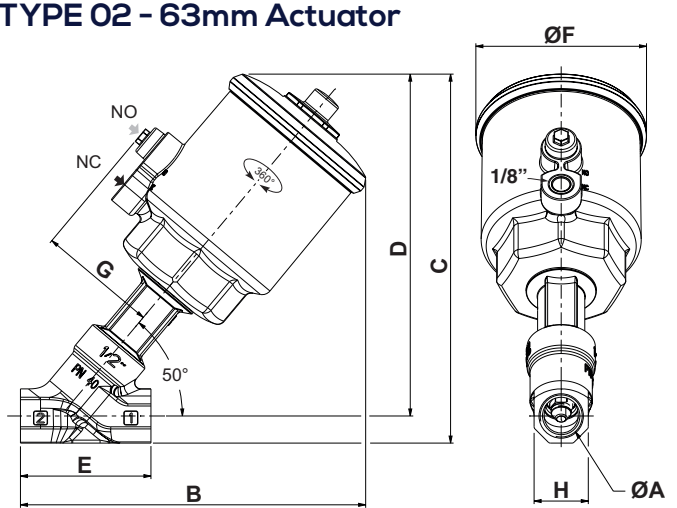
PNEUMATIC ACTUATED VALVES

Dimensions

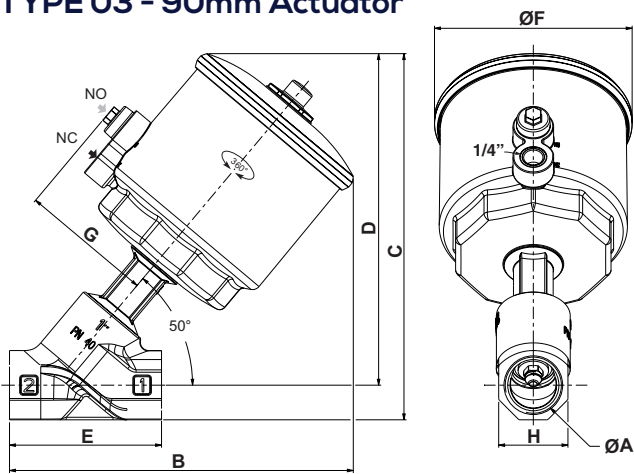
TYPE 01 - 50mm Actuator



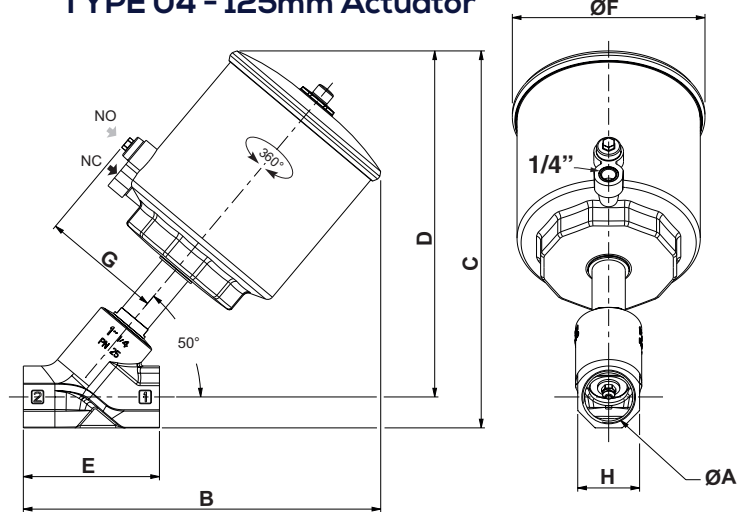
TYPE 02 - 63mm Actuator



TYPE 03 - 90mm Actuator



TYPE 04 - 125mm Actuator



TYPE	Actuator Diameter	ØA	B mm	B1 mm	C mm	D mm	E mm	ØF mm	G mm	H mm	Weight kg
01	50mm	G* 1/2"	147.5	168	156.5	143	65	69	43	27	0.8
		G* 3/4"	151.5	172	160	144	75	69	43	32	0.9
02	63mm	G* 3/4"	176	193.5	187	171	75	85	59.5	32	1.1
		G* 1"	185.5	203	199.5	179	90	85	59.5	41	1.5
03	90mm	G* 1"	203.5	210	217	196.5	90	117	78.5	41	2.1
		G* 1 1/4"	224.5	231	233	253	110	117	78.5	50	2.5
04	125mm	G* 1 1/2"	224	230.5	240	210	120	117	78.5	60	3.1
		G* 2"	314.5	307	327	292	150	156	97	70	7.2