

WAFER PATTERN BUTTERFLY VALVES WITH STAINLESS STEEL DISC - S301 SERIES

with Double Acting Actuator

Article no.	Article no.	Size
EPDM LINER	NITRIL LINER	mm - ins
700400DA	700420DA	DN40 - 1 1/2"
700401DA	700421DA	DN50 - 2"
700402DA	700422DA	DN65 - 2 1/2"
700403DA	700423DA	DN80 - 3"
700404DA	700424DA	DN100 - 4"
700405DA	700425DA	DN125 - 5"
700406DA	700426DA	DN150 - 6"
700407DA	700427DA	DN200 - 8"
700408DA	700428DA	DN250 - 10"
700409DA	700429DA	DN300 - 12"

with Spring Return Actuator

Article no.	Article no.	Size
EPDM LINER	NITRIL LINER	mm - ins
700400SR	700420SR	DN40 - 1 1/2"
700401SR	700421SR	DN50 - 2"
700402SR	700422SR	DN65 - 2 1/2"
700403SR	700423SR	DN80 - 3"
700404SR	700424SR	DN100 - 4"
700405SR	700425SR	DN125 - 5"
700406SR	700426SR	DN150 - 6"
700407SR	700427SR	DN200 - 8"
700408SR	700428SR	DN250 - 10"
700409SR	700429SR	DN300 - 12"

Additional cost for actuators supplied fitted with:



Limit Switch Box page 28

Article no.	
SWBOX	IP67 Standard
SWBOXP	Proximity Switches
SWBOXIS	Intrinsically Safe Box
SWBOXEX	Explosion Proof

Namur Pilot Solenoid Valve page 29



Article no.	Suffix * with
55100229*	A - 220V AC
	B - 110V AC
	D - 24V DC

Intrinsically Safe & Explosion Proof also available

PD100 Smart Valve Positioner page 30

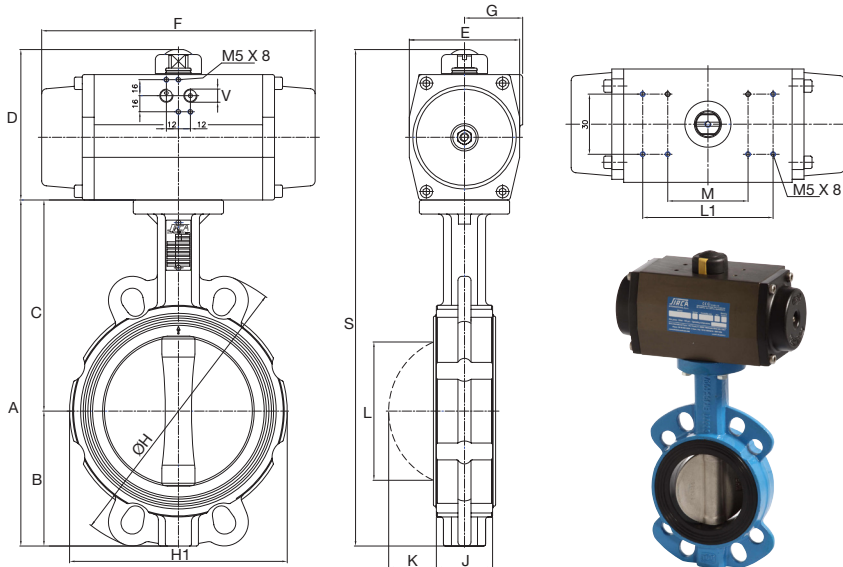


Article no.	
420100	
- 4-20mA input signal & Auto calibration	
- Local user interface & LCD display	
- Optional features available	

IP67 Inductive Proximity Switch page 31



Article no.	
IPSFIT	
- inductive sensor included (555602)	
- target puck included (555422)	
Optional 2mtr cable with M12 connector	
ECV001	



Dimensions (mm)

Size	Actuator	A	B	C	D	E	F	G	ØH	ØH1	J	K	L	L1	M	V	S	Weight Kg
1 1/2"	AP1 DA	190	60.4	129.6	87	60	142	41	145	83.5	33	4.25	19.7	/	80	1/8"	277	2.2
	AP1 SR				87	60	142	41						/				
2"	AP2 DA	207	72	135	103	73	155	44.5	162	99	43	4.75	21.2	/	80	1/4"	310	3.62
	AP3 SR				120	85	213	49.5						/				
2 1/2"	AP3 DA	232	82	150	120	85	213	49.5	180.5	116	46	10.5	44.6	/	80	1/4"	352	5.64
	AP3.5 SR				130	98	236	53						/				
3"	AP3 DA	252	92	160	120	85	213	49.5	198	135	46	18	65	/	80	1/4"	372	5.74
	AP4 SR				145	110	276	58						/				
4"	AP3 DA	282	102	180	120	85	213	49.5	224	157	52	25	85	/	80	1/4"	402	7.34
	AP4 SR				145	110	276	58						/				
5"	AP4 DA	315	120.5	194.5	145	110	276	58	260	197	56	35.5	112	/	80	1/4"	460	11.9
	AP4.5 SR				172	128	310	69						130				
6"	AP4 DA	345	134.5	210.5	145	110	276	58	287	211	56	44.6	138	/	80	1/4"	490	13.1
	AP5 SR				185	140	366	/						130				
8"	AP5 DA	410	172	238	185	140	366	/	348	270	60	71	193	130	80	1/4"	595	22.8
	AP6 SR				230	175	468	/						130				
10"	AP5 DA	481	202	279	185	140	366	/	415	317	68	90	238.7	130	80	1/4"	666	32.1
	AP6 SR				230	175	468	/						130				
12"	AP6 DA	553	239	314	230	175	468	/	483	373	78	111	289	130	80	1/4"	783	50.16
	AP8 SR				300	215	563	/						130				