



CARBON STEEL PN16 WAFER PATTERN FLANGED ACTUATED BALL VALVE

BS4504

16 BAR Rated

Double Acting

| Article no. | Size |
|-------------|--------|
| 72012004 | 1/2" |
| 72012005 | 3/4" |
| 72012006 | 1" |
| 72012007 | 1 1/4" |
| 72012008 | 1 1/2" |
| 72012010 | 2" |
| 72012012 | 2 1/2" |
| 72012014 | 3" |
| 72012018 | 4" |
| 72012019 | 5" |
| 72012020 | 6" |

Spring Return

| Article no. | Size |
|-------------|--------|
| 72012104 | 1/2" |
| 72012105 | 3/4" |
| 72012106 | 1" |
| 72012107 | 1 1/4" |
| 72012108 | 1 1/2" |
| 72012110 | 2" |
| 72012112 | 2 1/2" |
| 72012114 | 3" |
| 72012118 | 4" |
| 72012119 | 5" |
| 72012120 | 6" |

Additional cost for actuators supplied fitted with:



Limit Switch Box page 28

| Article no. | |
|-------------|------------------------|
| SWBOX | IP67 Standard |
| SWBOXP | Proximity Switches |
| SWBOXIS | Intrinsically Safe Box |
| SWBOXEX | Explosion Proof |

Namur Pilot Solenoid Valve page 29



| Article no. | Suffix * with |
|-------------|---------------|
| 55100229* | A - 220V AC |
| | B - 110V AC |
| | D - 24V DC |

Intrinsically Safe & Explosion Proof also available

PD100 Smart Valve Positioner page 30



| Article no. | |
|-------------|--|
| 420100 | |

- 4-20mA input signal & Auto calibration
- Local user interface & LCD display
- Optional features available

IP67 Inductive Proximity Switch page 31

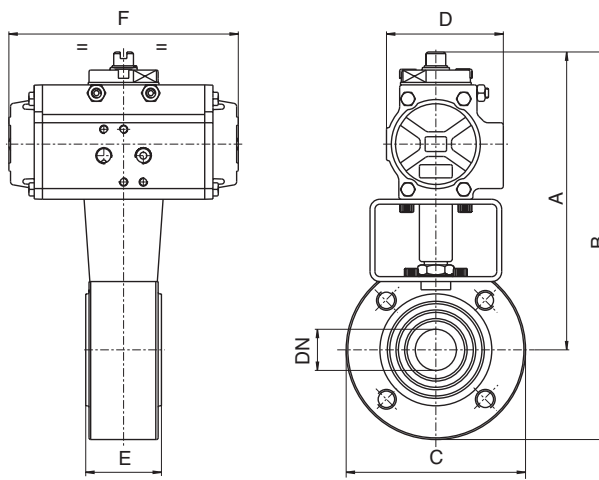


| Article no. | |
|-------------|--|
| IPSFIT | |

- inductive sensor included (555602)
- target puck included (555422)

Optional 2mtr cable with M12 connector

| ECV001 | |
|--------|--|
|--------|--|



Valve with Double Acting Actuator

| DN | 15 | 20 | 25 | 32 | 40 | 50 | 65 | 80 | 100 | 125 | 150 | 200 |
|------|-----|-----|-----|-----|-----|-----|-------|-------|-----|-------|-----|-----|
| PN | 16 | 16 | 16 | 16 | 16 | 16 | 16 | 16 | 16 | 16 | 16 | 16 |
| A | 147 | 176 | 181 | 188 | 214 | 239 | 265 | 276 | 324 | 377 | 414 | 492 |
| B | 192 | 226 | 236 | 253 | 284 | 314 | 353 | 371 | 434 | 502 | 564 | 662 |
| C | 90 | 100 | 110 | 130 | 140 | 150 | 175 | 190 | 220 | 250 | 300 | 340 |
| D | 45 | 71 | 71 | 71 | 81 | 95 | 106 | 106 | 123 | 137 | 148 | 187 |
| E | 35 | 40 | 46 | 54 | 64 | 82 | 103 | 122 | 152 | 196 | 232 | 317 |
| F | 110 | 140 | 140 | 140 | 162 | 207 | 238 | 238 | 272 | 328 | 366 | 522 |
| ACT. | AP0 | AP1 | AP1 | AP1 | AP2 | AP3 | AP3.5 | AP3.5 | AP4 | AP4.5 | AP5 | AP6 |

Valve with Spring Return Actuator

| DN | 15 | 20 | 25 | 32 | 40 | 50 | 65 | 80 | 100 | 125 | 150 | 200 |
|------|-----|-----|-----|-----|-------|-----|-------|-----|-----|-----|-----|-----|
| PN | 16 | 16 | 16 | 16 | 16 | 16 | 16 | 16 | 16 | 16 | 16 | 16 |
| A | 171 | 187 | 192 | 199 | 242 | 264 | 328 | 351 | 366 | 423 | 499 | 543 |
| B | 216 | 237 | 247 | 264 | 312 | 339 | 416 | 445 | 476 | 548 | 649 | 713 |
| C | 90 | 100 | 110 | 130 | 140 | 150 | 175 | 190 | 220 | 250 | 300 | 340 |
| D | 71 | 81 | 81 | 81 | 106 | 123 | 137 | 148 | 148 | 187 | 218 | 218 |
| E | 35 | 40 | 46 | 54 | 64 | 82 | 103 | 122 | 152 | 196 | 232 | 317 |
| F | 140 | 162 | 162 | 162 | 238 | 272 | 328 | 366 | 366 | 522 | 575 | 575 |
| ACT. | AP1 | AP2 | AP2 | AP2 | AP3.5 | AP4 | AP4.5 | AP5 | AP5 | AP6 | AP8 | AP8 |